

	Part #	A	Thread inches	B inches	C inches	D	E inches	F
Tie Rod	ES3202	1.000x18	RH	0.702	0.594	0.864	M14x1.50	5.750
Tie Rod	ES444L	1.000x18	LH	0.702	0.594	0.864	.562x18	7.000
Tie Rod	ES2396	1.000x18	RH	0.703	0.594	0.872	M14x1.50	5.390
Tie Rod	ES391R	1.000x18	RH	0.702	0.613	0.712	.562x18	5.200
Tie Rod	ES2064L	1.000x18	LH	0.777	0.664	0.904	.625x18	4.750
Tie Rod	ES2011R	1.000x18	RH	0.773	0.675	0.784	.625x18	4.120
Tie Rod	ES2006R	1.000x18	RH	0.776	0.675	0.808	.625x18	5.880
Tie Rod	ES2007L	1.000x18	LH	0.776	0.675	0.808	.625x18	5.880
Adjuster	ES20125	1.000x18	1.000x18	5.500		5.500	139.700	
Adjuster	ES2066S	1.000x18	1.000x18	5.500		5.500	139.700	
Tie Rod	ES444L	1.000x18	LH	0.702	0.594	0.864	.562x18	7.000
Tie Rod	ES3202	1.000x18	RH	0.702	0.594	0.864	M14x1.50	5.750
Adjuster	ES20125	1.000x18	1.000x18	5.500		5.500	139.700	
Adjuster	ES2066S	1.000x18	1.000x18	5.500		5.500	139.700	
Tie Rod	ES444L	1.000x18	LH	0.702	0.594	0.864	.562x18	7.000
Tie Rod	ES2396	1.000x18	RH	0.703	0.594	0.872	M14x1.50	5.390
Adjuster	ES20125	1.000x18	1.000x18	5.500		5.500	139.700	
Adjuster	ES2066S	1.000x18	1.000x18	5.500		5.500	139.700	
Tie Rod	ES444L	1.000x18	LH	0.702	0.594	0.864	.562x18	7.000
Tie Rod	ES391R	1.000x18	RH	0.702	0.613	0.712	.562x18	5.200
Adjuster	ES20125	1.000x18	1.000x18	5.500		5.500	139.700	
Adjuster	ES2066S	1.000x18	1.000x18	5.500		5.500	139.700	
Tie Rod	ES444L	1.000x18	LH	0.702	0.594	0.864	.562x18	7.000
Tie Rod	ES2011R	1.000x18	RH	0.773	0.675	0.784	.625x18	4.120
Adjuster	ES20125	1.000x18	1.000x18	5.500		5.500	139.700	
Adjuster	ES2066S	1.000x18	1.000x18	5.500		5.500	139.700	
Tie Rod	ES444L	1.000x18	LH	0.702	0.594	0.864	.562x18	7.000
Tie Rod	ES2006R	1.000x18	RH	0.776	0.675	0.808	.625x18	5.880
Adjuster	ES20125	1.000x18	1.000x18	5.500		5.500	139.700	
Adjuster	ES2066S	1.000x18	1.000x18	5.500		5.500	139.700	
Tie Rod	ES2064L	1.000x18	LH	0.777	0.664	0.904	.625x18	4.750
Tie Rod	ES3202	1.000x18	RH	0.702	0.594	0.864	M14x1.50	5.750
Adjuster	ES20125	1.000x18	1.000x18	5.500		5.500	139.700	
Adjuster	ES2066S	1.000x18	1.000x18	5.500		5.500	139.700	
Tie Rod	ES2064L	1.000x18	LH	0.777	0.664	0.904	.625x18	4.750
Tie Rod	ES2396	1.000x18	RH	0.703	0.594	0.872	M14x1.50	5.390
Adjuster	ES20125	1.000x18	1.000x18	5.500		5.500	139.700	
Adjuster	ES2066S	1.000x18	1.000x18	5.500		5.500	139.700	

Tie Rod	ES2064L	1.000x18	LH	0.777	0.664	0.904	.625x18	4.750
Tie Rod	ES391R	1.000x18	RH	0.702	0.613	0.712	.562x18	5.200
Adjuster	ES20125	1.000x18	1.000x18	5.500		5.500	139.700	
Adjuster	ES2066S	1.000x18	1.000x18	5.500		5.500	139.700	
Tie Rod	ES2064L	1.000x18	LH	0.777	0.664	0.904	.625x18	4.750
Tie Rod	ES2011R	1.000x18	RH	0.773	0.675	0.784	.625x18	4.120
Adjuster	ES20125	1.000x18	1.000x18	5.500		5.500	139.700	
Adjuster	ES2066S	1.000x18	1.000x18	5.500		5.500	139.700	
Tie Rod	ES2064L	1.000x18	LH	0.777	0.664	0.904	.625x18	4.750
Tie Rod	ES2006R	1.000x18	RH	0.776	0.675	0.808	.625x18	5.880
Adjuster	ES20125	1.000x18	1.000x18	5.500		5.500	139.700	
Adjuster	ES2066S	1.000x18	1.000x18	5.500		5.500	139.700	
Tie Rod	ES2007L	1.000x18	LH	0.776	0.675	0.808	.625x18	5.880
Tie Rod	ES3202	1.000x18	RH	0.702	0.594	0.864	M14x1.50	5.750
Adjuster	ES20125	1.000x18	1.000x18	5.500		5.500	139.700	
Adjuster	ES2066S	1.000x18	1.000x18	5.500		5.500	139.700	
Tie Rod	ES2007L	1.000x18	LH	0.776	0.675	0.808	.625x18	5.880
Tie Rod	ES2396	1.000x18	RH	0.703	0.594	0.872	M14x1.50	5.390
Adjuster	ES20125	1.000x18	1.000x18	5.500		5.500	139.700	
Adjuster	ES2066S	1.000x18	1.000x18	5.500		5.500	139.700	
Tie Rod	ES2007L	1.000x18	LH	0.776	0.675	0.808	.625x18	5.880
Tie Rod	ES391R	1.000x18	RH	0.702	0.613	0.712	.562x18	5.200
Adjuster	ES20125	1.000x18	1.000x18	5.500		5.500	139.700	
Adjuster	ES2066S	1.000x18	1.000x18	5.500		5.500	139.700	
Tie Rod	ES2007L	1.000x18	LH	0.776	0.675	0.808	.625x18	5.880
Tie Rod	ES2011R	1.000x18	RH	0.773	0.675	0.784	.625x18	4.120
Adjuster	ES20125	1.000x18	1.000x18	5.500		5.500	139.700	
Adjuster	ES2066S	1.000x18	1.000x18	5.500		5.500	139.700	
Tie Rod	ES2007L	1.000x18	LH	0.776	0.675	0.808	.625x18	5.880
Tie Rod	ES2006R	1.000x18	RH	0.776	0.675	0.808	.625x18	5.880
Adjuster	ES20125	1.000x18	1.000x18	5.500		5.500	139.700	
Adjuster	ES2066S	1.000x18	1.000x18	5.500		5.500	139.700	

		B	C	D	F
			mm	mm	mm
			17.831	15.088	21.946
			17.831	15.088	21.946
			17.856	15.088	22.149
			17.831	15.570	18.085
			19.736	16.866	22.962
			19.634	17.145	19.914
			19.710	17.145	20.523
			19.710	17.145	20.523
			17.831	15.088	21.946
Calc'd	3.210		17.831	15.088	21.946
Actual	5.500		17.831	15.088	21.946
Actual	5.500				
			17.831	15.088	21.946
Calc'd	3.570		17.856	15.088	22.149
Actual	5.500				
Actual	5.500				
			17.831	15.088	21.946
Calc'd	3.760		17.831	15.570	18.085
Actual	5.500				
Actual	5.500				
			17.831	15.088	21.946
Calc'd	8.960		19.634	17.145	19.914
Actual	5.500				
Actual	5.500				
			17.831	15.088	21.946
Calc'd	3.080		19.710	17.145	20.523
Actual	5.500				
Actual	5.500				
			19.736	16.866	22.962
Calc'd	5.460		17.831	15.088	21.946
Actual	5.500				
Actual	5.500				
			19.736	16.866	22.962
Calc'd	5.820		17.856	15.088	22.149
Actual	5.500				
Actual	5.500				

		19.736	16.866	22.962	120.650
Calc'd	6.010	17.831	15.570	18.085	132.080
Actual	5.500				
Actual	5.500				
		19.736	16.866	22.962	120.650
Calc'd	7.090	19.634	17.145	19.914	104.648
Actual	5.500				
Actual	5.500				
		19.736	16.866	22.962	120.650
Calc'd	5.330	19.710	17.145	20.523	149.352
Actual	5.500				
Actual	5.500				
		19.710	17.145	20.523	149.352
Calc'd	4.330	17.831	15.088	21.946	146.050
Actual	5.500				
Actual	5.500				
		19.710	17.145	20.523	149.352
Calc'd	4.690	17.856	15.088	22.149	136.906
Actual	5.500				
Actual	5.500				
		19.710	17.145	20.523	149.352
Calc'd	4.880	17.831	15.570	18.085	132.080
Actual	5.500				
Actual	5.500				
		19.710	17.145	20.523	149.352
Calc'd	5.960	19.634	17.145	19.914	104.648
Actual	5.500				
Actual	5.500				
		19.710	17.145	20.523	149.352
Calc'd	4.200	19.710	17.145	20.523	149.352
Actual	5.500				
Actual	5.500				

	Part #	A	Thread	B inches	C inches	D inches	E	F inches
Tie Rod	ES577	.562x18	RH	0.626	0.516	0.880	.438x20	8.250
Tie Rod	ES319L	.562x18	LH	0.626	0.554	0.576	.500x20	3.940
Tie Rod	ES319R	.562x18	RH	0.626	0.554	0.576	.500x20	3.940
Tie Rod	ES401L	.562x18	LH	0.626	0.554	0.576	.500x20	4.000
Tie Rod	ES401R	.562x18	RH	0.626	0.554	0.576	.500x20	4.000
Tie Rod	ES2128R	.562x18	RH	0.626	0.554	0.576	.500x20	5.080

	Part #	LH	RH	Length		Length IN	Length MM	
Adjuster	ES319S	.562x18	.562x18	8.000		8.000	203.200	
Adjuster	ES2016S	.562x18	.562x18	8.250		8.250	209.550	
Adjuster	ES 4308	.562x18	.562x18	8.500		8.500	215.900	
Tie Rod	ES319L	.562x18	LH	0.626	0.554	0.576	.500x20	3.940
Tie Rod	ES319R	.562x18	RH	0.626	0.554	0.576	.500x20	3.940
Adjuster	ES2016S	.562x18	.562x18	8.250				
Tie Rod	ES319L	.562x18	LH	0.626	0.554	0.576	.500x20	3.940
Tie Rod	ES401R	.562x18	RH	0.626	0.554	0.576	.500x20	4.000
	ES2016S	.562x18	.562x18	8.250				
Tie Rod								
Tie Rod	ES319L	.562x18	LH	0.626	0.554	0.576	.500x20	3.940
Adjuster	ES2128R	.562x18	RH	0.626	0.554	0.576	.500x20	5.080
Tie Rod	ES401L	.562x18	LH	0.626	0.554	0.576	.500x20	4.000
Tie Rod	ES319R	.562x18	RH	0.626	0.554	0.576	.500x20	3.940
Adjuster	ES2016S	.562x18	.562x18	8.250				
Tie Rod	ES401L	.562x18	LH	0.626	0.554	0.576	.500x20	4.000
Tie Rod	ES401R	.562x18	RH	0.626	0.554	0.576	.500x20	4.000
Adjuster	ES2016S	.562x18	.562x18	8.250				
	ES401L	.562x18	LH	0.626	0.554	0.576	.500x20	4.000
	ES2128R	.562x18	RH	0.626	0.554	0.576	.500x20	5.080
	ES401L	.562x18	LH	0.626	0.554	0.576	.500x20	4.000
	ES2128R	.562x18	RH	0.626	0.554	0.576	.500x20	5.080

			B	C	D	F
			mm	mm	mm	mm
			15.900	13.106	22.352	209.550
			15.900	14.072	14.630	100.076
			15.900	14.072	14.630	100.076
			15.900	14.072	14.630	101.600
			15.900	14.072	14.630	101.600
			15.900	14.072	14.630	129.032
			15.900	14.072	14.630	100.076
Calc'd	8.080		15.900	14.072	14.630	100.076
Actual	8.250	209.550	15.900	14.072	14.630	101.600
Calc'd	8.020		15.900	14.072	14.630	100.076
Actual	8.250	209.550	15.900	14.072	14.630	129.032
			15.900	14.072	14.630	101.600
	6.940		15.900	14.072	14.630	100.076
Calc'd	8.020		15.900	14.072	14.630	101.600
Actual	8.250	209.550	15.900	14.072	14.630	101.600
Calc'd	7.960		15.900	14.072	14.630	101.600
Actual	8.250	209.550	15.900	14.072	14.630	129.032
			15.900	14.072	14.630	101.600
	6.880		15.900	14.072	14.630	129.032
	6.880					

	Part #	A	Thread	B inches	C inches	D inches	E inches	F inches
Tie Rod	ES348R	.625x18	RH	0.623	0.516	0.856	.438x20	4.620
Tie Rod	ES381R	.625x18	RH	0.623	0.516	0.856	.438x20	5.440
Tie Rod	ES438R	.625x18	RH	0.623	0.516	0.856	.438x20	6.740
Tie Rod	ES378L	.625x18	LH	0.623	0.516	0.856	.438x20	7.140
Tie Rod	ES378R	.625x18	RH	0.623	0.516	0.856	.438x20	7.140
Tie Rod	ES350L	.625x18	LH	0.623	0.516	0.856	.438x20	7.160
Tie Rod	ES37CR	.625x18	RH	0.623	0.516	0.856	.438x20	7.160
Tie Rod	ES2034L	.625x18	LH	0.623	0.516	0.856	.438x20	8.460
Tie Rod	ES3S3R	.625x18	RH	0.623	0.516	0.856	.438x20	8.620
Tie Rod	ES323R	.625x18	RH	0.626	0.516	0.880	.438x20	4.000
Tie Rod	ES2227L	.625x18	LH	0.626	0.516	0.880	.438x20	8.120
Tie Rod	ES681N	.625x18	LH	0.626	0.516	0.880	.438x20	8.620
Tie Rod	ES323L	.625x18	LH	0.627	0.516	0.888	.438x20	4.000
Tie Rod	ES678	.625x18	RH	0.627	0.516	0.888	.438x20	6.620
Tie Rod	ES379L	.625x18	LH	0.623	0.554	0.552	.500x20	3.880
Tie Rod	ES351L	.625x18	LH	0.623	0.568	0.440	.500x20	3.880
Tie Rod	ES297L	.625x18	LH	0.752	0.665	0.696	.625x18	3.440
Tie Rod	ES358L	.625x18	LH	0.752	0.666	0.688	.625x18	7.440
Tie Rod	ES358R	.625x18	RH	0.752	0.666	0.688	.625x18	7.440
Adjuster	ES2032S	.625x18		.625x18	4.500		4.500	114.300
Adjuster	ES 3508	.625x18		.625x18	6.000		6.000	152.400
Adjuster	ES 3748	.625x18		.625x18	6.500		6.500	165.100
Adjuster	ES 3128	.625x18		.625x18	8.750		8.750	222.250
Adjuster	ES 6778	.625x18		.625x18	10.560		10.560	268.224
Tie Rod	ES378L	.625x18	LH	0.623	0.516	0.856	.438x20	7.140
Tie Rod	ES3S3R	.625x18	RH	0.623	0.516	0.856	.438x20	8.620
Tie Rod	ES358R	.625x18	RH	0.752	0.666	0.688	.625x18	7.440
Tie Rod	ES37CR	.625x18	RH	0.623	0.516	0.856	.438x20	7.160
Tie Rod	ES378R	.625x18	RH	0.623	0.516	0.856	.438x20	7.140
Tie Rod	ES438R	.625x18	RH	0.623	0.516	0.856	.438x20	6.740
Tie Rod	ES678	.625x18	RH	0.627	0.516	0.888	.438x20	6.620
Tie Rod	ES381R	.625x18	RH	0.623	0.516	0.856	.438x20	5.440
Tie Rod	ES348R	.625x18	RH	0.623	0.516	0.856	.438x20	4.620
Tie Rod	ES323R	.625x18	RH	0.626	0.516	0.880	.438x20	4.000
Tie Rod	ES350L	.625x18	LH	0.623	0.516	0.856	.438x20	7.160
Tie Rod	ES3S3R	.625x18	RH	0.623	0.516	0.856	.438x20	8.620
Tie Rod	ES358R	.625x18	RH	0.752	0.666	0.688	.625x18	7.440
Tie Rod	ES37CR	.625x18	RH	0.623	0.516	0.856	.438x20	7.160
Tie Rod	ES378R	.625x18	RH	0.623	0.516	0.856	.438x20	7.140

Tie Rod	ES438R	.625x18	RH	0.623	0.516	0.856	.438x20	6.740
Tie Rod	ES678	.625x18	RH	0.627	0.516	0.888	.438x20	6.620
Tie Rod	ES381R	.625x18	RH	0.623	0.516	0.856	.438x20	5.440
Tie Rod	ES348R	.625x18	RH	0.623	0.516	0.856	.438x20	4.620
Tie Rod	ES323R	.625x18	RH	0.626	0.516	0.880	.438x20	4.000

Tie Rod	ES2034L	.625x18	LH	0.623	0.516	0.856	.438x20	8.460
Tie Rod	ES3S3R	.625x18	RH	0.623	0.516	0.856	.438x20	8.620
Tie Rod	ES358R	.625x18	RH	0.752	0.666	0.688	.625x18	7.440
Tie Rod	ES37CR	.625x18	RH	0.623	0.516	0.856	.438x20	7.160
Tie Rod	ES378R	.625x18	RH	0.623	0.516	0.856	.438x20	7.140
Tie Rod	ES438R	.625x18	RH	0.623	0.516	0.856	.438x20	6.740
Tie Rod	ES678	.625x18	RH	0.627	0.516	0.888	.438x20	6.620
Tie Rod	ES381R	.625x18	RH	0.623	0.516	0.856	.438x20	5.440
Tie Rod	ES348R	.625x18	RH	0.623	0.516	0.856	.438x20	4.620
Tie Rod	ES323R	.625x18	RH	0.626	0.516	0.880	.438x20	4.000

Tie Rod	ES2227L	.625x18	LH	0.626	0.516	0.880	.438x20	8.120
Tie Rod	ES3S3R	.625x18	RH	0.623	0.516	0.856	.438x20	8.620
Tie Rod	ES358R	.625x18	RH	0.752	0.666	0.688	.625x18	7.440
Tie Rod	ES37CR	.625x18	RH	0.623	0.516	0.856	.438x20	7.160
Tie Rod	ES378R	.625x18	RH	0.623	0.516	0.856	.438x20	7.140
Tie Rod	ES438R	.625x18	RH	0.623	0.516	0.856	.438x20	6.740
Tie Rod	ES678	.625x18	RH	0.627	0.516	0.888	.438x20	6.620
Tie Rod	ES381R	.625x18	RH	0.623	0.516	0.856	.438x20	5.440
Tie Rod	ES348R	.625x18	RH	0.623	0.516	0.856	.438x20	4.620
Tie Rod	ES323R	.625x18	RH	0.626	0.516	0.880	.438x20	4.000

Tie Rod	ES681N	.625x18	LH	0.626	0.516	0.880	.438x20	8.620
Tie Rod	ES3S3R	.625x18	RH	0.623	0.516	0.856	.438x20	8.620
Tie Rod	ES358R	.625x18	RH	0.752	0.666	0.688	.625x18	7.440
Tie Rod	ES37CR	.625x18	RH	0.623	0.516	0.856	.438x20	7.160
Tie Rod	ES378R	.625x18	RH	0.623	0.516	0.856	.438x20	7.140
Tie Rod	ES438R	.625x18	RH	0.623	0.516	0.856	.438x20	6.740
Tie Rod	ES678	.625x18	RH	0.627	0.516	0.888	.438x20	6.620
Tie Rod	ES381R	.625x18	RH	0.623	0.516	0.856	.438x20	5.440
Tie Rod	ES348R	.625x18	RH	0.623	0.516	0.856	.438x20	4.620
Tie Rod	ES323R	.625x18	RH	0.626	0.516	0.880	.438x20	4.000

Tie Rod	ES323L	.625x18	LH	0.627	0.516	0.888	.438x20	4.000
Tie Rod	ES3S3R	.625x18	RH	0.623	0.516	0.856	.438x20	8.620
Tie Rod	ES358R	.625x18	RH	0.752	0.666	0.688	.625x18	7.440
Tie Rod	ES37CR	.625x18	RH	0.623	0.516	0.856	.438x20	7.160
Tie Rod	ES378R	.625x18	RH	0.623	0.516	0.856	.438x20	7.140
Tie Rod	ES438R	.625x18	RH	0.623	0.516	0.856	.438x20	6.740
Tie Rod	ES678	.625x18	RH	0.627	0.516	0.888	.438x20	6.620



Tie Rod	ES381R	.625x18	RH	0.623	0.516	0.856	.438x20	5.440
Tie Rod	ES348R	.625x18	RH	0.623	0.516	0.856	.438x20	4.620
Tie Rod	ES323R	.625x18	RH	0.626	0.516	0.880	.438x20	4.000

Tie Rod	ES379L	.625x18	LH	0.623	0.554	0.552	.500x20	3.880
Tie Rod	ES3S3R	.625x18	RH	0.623	0.516	0.856	.438x20	8.620
Tie Rod	ES358R	.625x18	RH	0.752	0.666	0.688	.625x18	7.440
Tie Rod	ES37CR	.625x18	RH	0.623	0.516	0.856	.438x20	7.160
Tie Rod	ES378R	.625x18	RH	0.623	0.516	0.856	.438x20	7.140
Tie Rod	ES438R	.625x18	RH	0.623	0.516	0.856	.438x20	6.740
Tie Rod	ES678	.625x18	RH	0.627	0.516	0.888	.438x20	6.620
Tie Rod	ES381R	.625x18	RH	0.623	0.516	0.856	.438x20	5.440
Tie Rod	ES348R	.625x18	RH	0.623	0.516	0.856	.438x20	4.620
Tie Rod	ES323R	.625x18	RH	0.626	0.516	0.880	.438x20	4.000

Tie Rod	ES351L	.625x18	LH	0.623	0.568	0.440	.500x20	3.880
Tie Rod	ES3S3R	.625x18	RH	0.623	0.516	0.856	.438x20	8.620
Tie Rod	ES358R	.625x18	RH	0.752	0.666	0.688	.625x18	7.440
Tie Rod	ES37CR	.625x18	RH	0.623	0.516	0.856	.438x20	7.160
Tie Rod	ES378R	.625x18	RH	0.623	0.516	0.856	.438x20	7.140
Tie Rod	ES438R	.625x18	RH	0.623	0.516	0.856	.438x20	6.740
Tie Rod	ES678	.625x18	RH	0.627	0.516	0.888	.438x20	6.620
Tie Rod	ES381R	.625x18	RH	0.623	0.516	0.856	.438x20	5.440
Tie Rod	ES348R	.625x18	RH	0.623	0.516	0.856	.438x20	4.620
Tie Rod	ES323R	.625x18	RH	0.626	0.516	0.880	.438x20	4.000

Tie Rod	ES297L	.625x18	LH	0.752	0.665	0.696	.625x18	3.440
Tie Rod	ES3S3R	.625x18	RH	0.623	0.516	0.856	.438x20	8.620
Tie Rod	ES358R	.625x18	RH	0.752	0.666	0.688	.625x18	7.440
Tie Rod	ES37CR	.625x18	RH	0.623	0.516	0.856	.438x20	7.160
Tie Rod	ES378R	.625x18	RH	0.623	0.516	0.856	.438x20	7.140
Tie Rod	ES438R	.625x18	RH	0.623	0.516	0.856	.438x20	6.740
Tie Rod	ES678	.625x18	RH	0.627	0.516	0.888	.438x20	6.620
Tie Rod	ES381R	.625x18	RH	0.623	0.516	0.856	.438x20	5.440
Tie Rod	ES348R	.625x18	RH	0.623	0.516	0.856	.438x20	4.620
Tie Rod	ES323R	.625x18	RH	0.626	0.516	0.880	.438x20	4.000

Tie Rod	ES358L	.625x18	LH	0.752	0.666	0.688	.625x18	7.440
Tie Rod	ES3S3R	.625x18	RH	0.623	0.516	0.856	.438x20	8.620
Tie Rod	ES358R	.625x18	RH	0.752	0.666	0.688	.625x18	7.440
Tie Rod	ES37CR	.625x18	RH	0.623	0.516	0.856	.438x20	7.160
Tie Rod	ES378R	.625x18	RH	0.623	0.516	0.856	.438x20	7.140
Tie Rod	ES438R	.625x18	RH	0.623	0.516	0.856	.438x20	6.740
Tie Rod	ES678	.625x18	RH	0.627	0.516	0.888	.438x20	6.620
Tie Rod	ES381R	.625x18	RH	0.623	0.516	0.856	.438x20	5.440
Tie Rod	ES348R	.625x18	RH	0.623	0.516	0.856	.438x20	4.620

Tie Rod ES323R .625x18 RH 0.626 0.516 0.880 .438x20 4.000

Adjuster Length	B mm	C mm	D mm	F mm
	15.824	13.106	21.742	117.348
	15.824	13.106	21.742	138.176
	15.824	13.106	21.742	171.196
	15.824	13.106	21.742	181.356
	15.824	13.106	21.742	181.356
	15.824	13.106	21.742	181.864
	15.824	13.106	21.742	181.864
	15.824	13.106	21.742	214.884
	15.824	13.106	21.742	218.948
	15.900	13.106	22.352	101.600
	15.900	13.106	22.352	206.248
	15.900	13.106	22.352	218.948
	15.926	13.106	22.555	101.600
	15.926	13.106	22.555	168.148
	15.824	14.072	14.021	98.552
	15.824	14.427	11.176	98.552
	19.101	16.891	17.678	87.376
	19.101	16.916	17.475	188.976
	19.101	16.916	17.475	188.976

Adjuster Length  
4.500  
6.000  
6.500  
8.750  
10.560

	15.824	13.106	21.742	181.356
0.200	15.824	13.106	21.742	218.948
1.380	19.101	16.916	17.475	188.976
1.660	15.824	13.106	21.742	181.864
1.680	15.824	13.106	21.742	181.356
2.080	15.824	13.106	21.742	171.196
2.200	15.926	13.106	22.555	168.148
3.380	15.824	13.106	21.742	138.176
Calc'd 4.200	15.824	13.106	21.742	117.348
4.820	15.900	13.106	22.352	101.600

	15.824	13.106	21.742	181.864
0.180	15.824	13.106	21.742	218.948
1.360	19.101	16.916	17.475	188.976
1.640	15.824	13.106	21.742	181.864
1.660	15.824	13.106	21.742	181.356

2.060	15.824	13.106	21.742	171.196
2.180	15.926	13.106	22.555	168.148
3.360	15.824	13.106	21.742	138.176
4.180	15.824	13.106	21.742	117.348
4.800	15.900	13.106	22.352	101.600
	15.824	13.106	21.742	214.884
-1.120	15.824	13.106	21.742	218.948
0.060	19.101	16.916	17.475	188.976
0.340	15.824	13.106	21.742	181.864
0.360	15.824	13.106	21.742	181.356
0.760	15.824	13.106	21.742	171.196
0.880	15.926	13.106	22.555	168.148
2.060	15.824	13.106	21.742	138.176
2.880	15.824	13.106	21.742	117.348
3.500	15.900	13.106	22.352	101.600
	15.900	13.106	22.352	206.248
-0.780	15.824	13.106	21.742	218.948
0.400	19.101	16.916	17.475	188.976
0.680	15.824	13.106	21.742	181.864
0.700	15.824	13.106	21.742	181.356
1.100	15.824	13.106	21.742	171.196
1.220	15.926	13.106	22.555	168.148
2.400	15.824	13.106	21.742	138.176
3.220	15.824	13.106	21.742	117.348
3.840	15.900	13.106	22.352	101.600
	15.900	13.106	22.352	218.948
-1.280	15.824	13.106	21.742	218.948
-0.100	19.101	16.916	17.475	188.976
0.180	15.824	13.106	21.742	181.864
0.200	15.824	13.106	21.742	181.356
0.600	15.824	13.106	21.742	171.196
0.720	15.926	13.106	22.555	168.148
1.900	15.824	13.106	21.742	138.176
2.720	15.824	13.106	21.742	117.348
3.340	15.900	13.106	22.352	101.600
	15.926	13.106	22.555	101.600
3.340	15.824	13.106	21.742	218.948
4.520	19.101	16.916	17.475	188.976
4.800	15.824	13.106	21.742	181.864
4.820	15.824	13.106	21.742	181.356
5.220	15.824	13.106	21.742	171.196
5.340	15.926	13.106	22.555	168.148

6.520	15.824	13.106	21.742	138.176
7.340	15.824	13.106	21.742	117.348
7.960	15.900	13.106	22.352	101.600

	15.824	14.072	14.021	98.552
3.460	15.824	13.106	21.742	218.948
4.640	19.101	16.916	17.475	188.976
4.920	15.824	13.106	21.742	181.864
4.940	15.824	13.106	21.742	181.356
5.340	15.824	13.106	21.742	171.196
5.460	15.926	13.106	22.555	168.148
6.640	15.824	13.106	21.742	138.176
7.460	15.824	13.106	21.742	117.348
8.080	15.900	13.106	22.352	101.600

	15.824	14.427	11.176	98.552
3.460	15.824	13.106	21.742	218.948
4.640	19.101	16.916	17.475	188.976
4.920	15.824	13.106	21.742	181.864
4.940	15.824	13.106	21.742	181.356
5.340	15.824	13.106	21.742	171.196
5.460	15.926	13.106	22.555	168.148
6.640	15.824	13.106	21.742	138.176
7.460	15.824	13.106	21.742	117.348
8.080	15.900	13.106	22.352	101.600

	19.101	16.891	17.678	87.376
3.900	15.824	13.106	21.742	218.948
5.080	19.101	16.916	17.475	188.976
5.360	15.824	13.106	21.742	181.864
5.380	15.824	13.106	21.742	181.356
5.780	15.824	13.106	21.742	171.196
5.900	15.926	13.106	22.555	168.148
7.080	15.824	13.106	21.742	138.176
7.900	15.824	13.106	21.742	117.348
8.520	15.900	13.106	22.352	101.600

	19.101	16.916	17.475	188.976
-0.100	15.824	13.106	21.742	218.948
1.080	19.101	16.916	17.475	188.976
1.360	15.824	13.106	21.742	181.864
1.380	15.824	13.106	21.742	181.356
1.780	15.824	13.106	21.742	171.196
1.900	15.926	13.106	22.555	168.148
3.080	15.824	13.106	21.742	138.176
3.900	15.824	13.106	21.742	117.348

4.520

15.900

13.106

22.352

101.600

Part #	A	Thread	B inches	C inches	D inches	E	F inches	
Tie Rod	ES428L	.688x18	LH	0.623	0.536	0.696	.500x20	7.440
Tie Rod	ES428R	.688x18	RH	0.623	0.536	0.696	.500x20	7.440
Tie Rod	ES354R	.688x18	RH	0.623	0.543	0.640	.500x20	3.880
Tie Rod	ES2221L I	.688x18	LH	0.626	0.543	0.664	.500x20	4.410
Tie Rod	ES2223R	.688x18	RH	0.626	0.543	0.664	.500x20	4.410
Tie Rod	ES62L	.688x18	LH	0.627	0.543	0.672	.500x20	3.120
Tie Rod	ES140R	.688x18	RH	0.623	0.544	0.632	.500x20	3.100
Tie Rod	ES288L	.688x18	LH	0.623	0.544	0.632	.500x20	3.120
Tie Rod	ES288R	.688x18	RH	0.623	0.544	0.632	.500x20	3.120
Tie Rod	ES140L	.688x18	LH	0.623	0.544	0.632	.500x20	6.250
Tie Rod	ES2044R	.688x18	RH	0.625	0.547	0.624	.500x20	5.700
Tie Rod	ES2837	.688x18	LH	0.626	0.550	0.608	M12x1.75	7.860
Tie Rod	ES2838	.688x18	LH	0.626	0.553	0.584	M12x1.75	7.360
Tie Rod	ES355L	.688x18	LH	0.623	0.554	0.552	.500x20	4.000
Tie Rod	ES439L	.688x18	LH	0.623	0.554	0.552	.500x20	4.080
Tie Rod	ES4S5L	.688x18	LH	0.623	0.554	0.552	.500x20	4.080
Tie Rod	ES397L	.688x18	LH	0.623	0.554	0.552	.500x20	4.260
Tie Rod	ES445R	.688x18	RH	0.623	0.554	0.552	.500x20	4.500
Tie Rod	ES352R	.688x18	RH	0.626	0.554	0.576	.500x20	4.000
Tie Rod	ES314R	.688x18	RH	0.623	0.558	0.520	.500x20	3.880
Tie Rod	ES335L	.688x18	RH	0.623	0.558	0.520	.500x20	4.000
Tie Rod	ES335R	.688x18	RH	0.623	0.558	0.520	.500x20	4.000
Tie Rod	ES3094	.688x18	LH	0.626	0.558	0.544	.500x20	5.370
Tie Rod	ES3095	.688x18	RH	0.626	0.558	0.544	.500x20	5.370
Tie Rod	ES416R	.688x18	RH	0.623	0.568	0.440	.500x20	3.120
Tie Rod	ES41BL	.688x18	LH	0.623	0.568	0.440	.500x20	3.120
Tie Rod	ES344L	.688x18	LH	0.623	0.568	0.440	.500x20	3.880
Tie Rod	ES285R	.688x18	LH	0.626	0.568	0.464	.500x20	3.870
Tie Rod	ES262L	.688x18	LH	0.704	0.612	0.736	.562x18	3.380
Tie Rod	ES262R	.688x18	RH	0.704	0.612	0.736	.562x1B	3.380
Tie Rod	ES2075R	.688x18	RH	0.704	0.624	0.640	.562x18	4.250
Tie Rod	ES2076L	.688x18	LH	0.704	0.624	0.640	.562x18	4.250
Tie Rod	ES2121L	.688x18	LH	0.704	0.628	0.608	.562x1B	5.180
Tie Rod	ES2I 20R	.688x18	RH	0.704	0.628	0.608	.562x18	5.180
Tie Rod	ES60R	.688x18	RH	0.719	0.664	0.440	.562x18	3.380
Tie Rod	ES2017R	.688x18	RH	0.750	0.666	0.672	.625x18.	6.740
Tie Rod	ES2001L	.688x18	LH	0.623	0.516	0.856	.438x20	8.570
Tie Rod	ES2002L	.688x18	LH	0.623	0.516	0.856	.438x20'	8.570
Tie Rod	ES2020L	.688x18	LH	0.623	0.516	0.856	.438x20	8.790
Tie Rod	ES442L	.688x18	LH	0.623	0.516	0.856	.438x20	9.160
Tie Rod	ES443L	.688x18	L11	0.623	0.516	0.856	.438x20	9.160
Tie Rod	ES402L	.688x18	LH	0.623	0.543	0.640	.500x20	9.680
Tie Rod	ES403L	.688x18	LH	0.625	0.547	0.624	.500x20	8.800
Tie Rod	ES2047L	.688x18	LH	0.623	0.551	0.576	.500x20	8.790
Tie Rod	ES436L	.688x18	1..H	0.623	0.554	0.552	.500x20	10.460
Tie Rod	ES382L	.688x18	LH	0.623	0.558	0.520	.500x20	10.040
Tie Rod	ES409L	.688x18	LH	0.747	0.666	0.648	.625x18	8.660

Adjuster	ES 4265	.688x18	.688x1B	4.260	4.260	108.204
Adjuster	ES2004S	.688x18	.688x18	4.720	4.720	119.888
Adjuster	ES 4408	.688x18	.688x18	8.120	8.120	206.248
Adjuster	ES 3558	.688x18	.688x18	8.670	8.670	220.218
Adjuster	ES2146S	.688x18	.688x18	9.630	9.630	244.602
Adjuster	DS103BS	.688x18	.688x18	14.340	14.340	364.236
Adjuster	DS1043S	.688x18	.688x18	15.150	15.150	384.810
Adjuster	DS1236S	.688x18	.688x18	24.120	24.120	612.648
Adjuster	DSI051S	.688x18	.G8Bxl B	25.900	25.900	657.860
Adjuster	OS 924S	.688x18	.688x18	40.500	40.500	1028.700
Adjuster	DS1239S	.688x18	.688x18	34.680		880.872
Adjuster	DS1045S	.688x18	.688x18	36.410		924.814

Tie Rod	ES428L	.688x18	LH	0.623	0.536	0.696	.500x20	7.440
Tie Rod	ES428R	.688x18	RH	0.623	0.536	0.696	.500x20	7.440
Tie Rod	ES2017R	.688x18	RH	0.750	0.666	0.672	.625x18.	6.740
Tie Rod	ES2044R	.688x18	RH	0.625	0.547	0.624	.500x20	5.700
Tie Rod	ES3095	.688x18	RH	0.626	0.558	0.544	.500x20	5.370
Tie Rod	ES2I 20R	.688x18	RH	0.704	0.628	0.608	.562x18	5.180
Tie Rod	ES445R	.688x18	RH	0.623	0.554	0.552	.500x20	4.500
Tie Rod	ES445R	.688x18	RH	0.623	0.554	0.552	.500x20	4.500
Tie Rod	ES2223R	.688x18	RH	0.626	0.543	0.664	.500x20	4.410
Tie Rod	ES2075R	.688x18	RH	0.704	0.624	0.640	.562x18	4.250
Tie Rod	ES352R	.688x18	RH	0.626	0.554	0.576	.500x20	4.000
Tie Rod	ES335R	.688x18	RH	0.623	0.558	0.520	.500x20	4.000
Tie Rod	ES354R	.688x18	RH	0.623	0.543	0.640	.500x20	3.880
Tie Rod	ES314R	.688x18	RH	0.623	0.558	0.520	.500x20	3.880
Tie Rod	ES262R	.688x18	RH	0.704	0.612	0.736	.562x1B	3.380
Tie Rod	ES60R	.688x18	RH	0.719	0.664	0.440	.562x18	3.380
Tie Rod	ES288R	.688x18	RH	0.623	0.544	0.632	.500x20	3.120
Tie Rod	ES416R	.688x18	RH	0.623	0.568	0.440	.500x20	3.120
Tie Rod	ES140R	.688x18	RH	0.623	0.544	0.632	.500x20	3.100

Tie Rod	ES2221L I	.688x18	LH	0.626	0.543	0.664	.500x20	4.410
Tie Rod	ES428R	.688x18	RH	0.623	0.536	0.696	.500x20	7.440
Tie Rod	ES2017R	.688x18	RH	0.750	0.666	0.672	.625x18.	6.740
Tie Rod	ES2044R	.688x18	RH	0.625	0.547	0.624	.500x20	5.700
Tie Rod	ES3095	.688x18	RH	0.626	0.558	0.544	.500x20	5.370



Tie Rod	ES2I 20R	.688x18	RH	0.704	0.628	0.608	.562x18	5.180
Tie Rod	ES445R	.688x18	RH	0.623	0.554	0.552	.500x20	4.500
Tie Rod	ES2223R	.688x18	RH	0.626	0.543	0.664	.500x20	4.410
Tie Rod	ES2075R	.688x18	RH	0.704	0.624	0.640	.562x18	4.250
Tie Rod	ES352R	.688x18	RH	0.626	0.554	0.576	.500x20	4.000
Tie Rod	ES335L	.688x18	RH	0.623	0.558	0.520	.500x20	4.000
Tie Rod	ES335R	.688x18	RH	0.623	0.558	0.520	.500x20	4.000
Tie Rod	ES354R	.688x18	RH	0.623	0.543	0.640	.500x20	3.880
Tie Rod	ES314R	.688x18	RH	0.623	0.558	0.520	.500x20	3.880
Tie Rod	ES262R	.688x18	RH	0.704	0.612	0.736	.562x1B	3.380
Tie Rod	ES60R	.688x18	RH	0.719	0.664	0.440	.562x18	3.380
Tie Rod	ES288R	.688x18	RH	0.623	0.544	0.632	.500x20	3.120
Tie Rod	ES416R	.688x18	RH	0.623	0.568	0.440	.500x20	3.120
Tie Rod	ES140R	.688x18	RH	0.623	0.544	0.632	.500x20	3.100

Tie Rod	ES62L	.688x18	LH	0.627	0.543	0.672	.500x20	3.120
Tie Rod	ES428R	.688x18	RH	0.623	0.536	0.696	.500x20	7.440
Tie Rod	ES2017R	.688x18	RH	0.750	0.666	0.672	.625x18.	6.740
Tie Rod	ES2044R	.688x18	RH	0.625	0.547	0.624	.500x20	5.700
Tie Rod	ES3095	.688x18	RH	0.626	0.558	0.544	.500x20	5.370
Tie Rod	ES2I 20R	.688x18	RH	0.704	0.628	0.608	.562x18	5.180
Tie Rod	ES445R	.688x18	RH	0.623	0.554	0.552	.500x20	4.500
Tie Rod	ES2223R	.688x18	RH	0.626	0.543	0.664	.500x20	4.410
Tie Rod	ES2075R	.688x18	RH	0.704	0.624	0.640	.562x18	4.250
Tie Rod	ES352R	.688x18	RH	0.626	0.554	0.576	.500x20	4.000
Tie Rod	ES335L	.688x18	RH	0.623	0.558	0.520	.500x20	4.000
Tie Rod	ES335R	.688x18	RH	0.623	0.558	0.520	.500x20	4.000
Tie Rod	ES354R	.688x18	RH	0.623	0.543	0.640	.500x20	3.880
Tie Rod	ES314R	.688x18	RH	0.623	0.558	0.520	.500x20	3.880
Tie Rod	ES262R	.688x18	RH	0.704	0.612	0.736	.562x1B	3.380
Tie Rod	ES60R	.688x18	RH	0.719	0.664	0.440	.562x18	3.380
Tie Rod	ES288R	.688x18	RH	0.623	0.544	0.632	.500x20	3.120
Tie Rod	ES416R	.688x18	RH	0.623	0.568	0.440	.500x20	3.120
Tie Rod	ES140R	.688x18	RH	0.623	0.544	0.632	.500x20	3.100

Tie Rod	ES288L	.688x18	LH	0.623	0.544	0.632	.500x20	3.120
Tie Rod	ES428R	.688x18	RH	0.623	0.536	0.696	.500x20	7.440
Tie Rod	ES2017R	.688x18	RH	0.750	0.666	0.672	.625x18.	6.740
Tie Rod	ES2044R	.688x18	RH	0.625	0.547	0.624	.500x20	5.700
Tie Rod	ES3095	.688x18	RH	0.626	0.558	0.544	.500x20	5.370
Tie Rod	ES2I 20R	.688x18	RH	0.704	0.628	0.608	.562x18	5.180
Tie Rod	ES445R	.688x18	RH	0.623	0.554	0.552	.500x20	4.500
Tie Rod	ES2223R	.688x18	RH	0.626	0.543	0.664	.500x20	4.410
Tie Rod	ES2075R	.688x18	RH	0.704	0.624	0.640	.562x18	4.250
Tie Rod	ES352R	.688x18	RH	0.626	0.554	0.576	.500x20	4.000
Tie Rod	ES335L	.688x18	RH	0.623	0.558	0.520	.500x20	4.000
Tie Rod	ES335R	.688x18	RH	0.623	0.558	0.520	.500x20	4.000

Tie Rod	ES354R	.688x18	RH	0.623	0.543	0.640	.500x20	3.880
Tie Rod	ES314R	.688x18	RH	0.623	0.558	0.520	.500x20	3.880
Tie Rod	ES262R	.688x18	RH	0.704	0.612	0.736	.562x1B	3.380
Tie Rod	ES60R	.688x18	RH	0.719	0.664	0.440	.562x18	3.380
Tie Rod	ES288R	.688x18	RH	0.623	0.544	0.632	.500x20	3.120
Tie Rod	ES416R	.688x18	RH	0.623	0.568	0.440	.500x20	3.120
Tie Rod	ES140R	.688x18	RH	0.623	0.544	0.632	.500x20	3.100

Tie Rod	ESI40L	.688x18	LH	0.623	0.544	0.632	.500x20	6.250
Tie Rod	ES428R	.688x18	RH	0.623	0.536	0.696	.500x20	7.440
Tie Rod	ES2017R	.688x18	RH	0.750	0.666	0.672	.625x18.	6.740
Tie Rod	ES2044R	.688x18	RH	0.625	0.547	0.624	.500x20	5.700
Tie Rod	ES3095	.688x18	RH	0.626	0.558	0.544	.500x20	5.370
Tie Rod	ES2I 20R	.688x18	RH	0.704	0.628	0.608	.562x18	5.180
Tie Rod	ES445R	.688x18	RH	0.623	0.554	0.552	.500x20	4.500
Tie Rod	ES2223R	.688x18	RH	0.626	0.543	0.664	.500x20	4.410
Tie Rod	ES2075R	.688x18	RH	0.704	0.624	0.640	.562x18	4.250
Tie Rod	ES352R	.688x18	RH	0.626	0.554	0.576	.500x20	4.000
Tie Rod	ES335L	.688x18	RH	0.623	0.558	0.520	.500x20	4.000
Tie Rod	ES335R	.688x18	RH	0.623	0.558	0.520	.500x20	4.000
Tie Rod	ES354R	.688x18	RH	0.623	0.543	0.640	.500x20	3.880
Tie Rod	ES314R	.688x18	RH	0.623	0.558	0.520	.500x20	3.880
Tie Rod	ES262R	.688x18	RH	0.704	0.612	0.736	.562x1B	3.380
Tie Rod	ES60R	.688x18	RH	0.719	0.664	0.440	.562x18	3.380
Tie Rod	ES288R	.688x18	RH	0.623	0.544	0.632	.500x20	3.120
Tie Rod	ES416R	.688x18	RH	0.623	0.568	0.440	.500x20	3.120
Tie Rod	ES140R	.688x18	RH	0.623	0.544	0.632	.500x20	3.100

Tie Rod	ES2837	.688x18	LH	0.626	0.550	0.608	M12x1.75	7.860
Tie Rod	ES428R	.688x18	RH	0.623	0.536	0.696	.500x20	7.440
Tie Rod	ES2017R	.688x18	RH	0.750	0.666	0.672	.625x18.	6.740
Tie Rod	ES2044R	.688x18	RH	0.625	0.547	0.624	.500x20	5.700
Tie Rod	ES3095	.688x18	RH	0.626	0.558	0.544	.500x20	5.370
Tie Rod	ES2I 20R	.688x18	RH	0.704	0.628	0.608	.562x18	5.180
Tie Rod	ES445R	.688x18	RH	0.623	0.554	0.552	.500x20	4.500
Tie Rod	ES2223R	.688x18	RH	0.626	0.543	0.664	.500x20	4.410
Tie Rod	ES2075R	.688x18	RH	0.704	0.624	0.640	.562x18	4.250
Tie Rod	ES352R	.688x18	RH	0.626	0.554	0.576	.500x20	4.000
Tie Rod	ES335L	.688x18	RH	0.623	0.558	0.520	.500x20	4.000
Tie Rod	ES335R	.688x18	RH	0.623	0.558	0.520	.500x20	4.000
Tie Rod	ES354R	.688x18	RH	0.623	0.543	0.640	.500x20	3.880
Tie Rod	ES314R	.688x18	RH	0.623	0.558	0.520	.500x20	3.880
Tie Rod	ES262R	.688x18	RH	0.704	0.612	0.736	.562x1B	3.380
Tie Rod	ES60R	.688x18	RH	0.719	0.664	0.440	.562x18	3.380
Tie Rod	ES288R	.688x18	RH	0.623	0.544	0.632	.500x20	3.120
Tie Rod	ES416R	.688x18	RH	0.623	0.568	0.440	.500x20	3.120
Tie Rod	ES140R	.688x18	RH	0.623	0.544	0.632	.500x20	3.100

Tie Rod	ES2837	.688x18	LH	0.626	0.550	0.608	M12x1.75	7.860
Tie Rod	ES428R	.688x18	RH	0.623	0.536	0.696	.500x20	7.440
Tie Rod	ES2017R	.688x18	RH	0.750	0.666	0.672	.625x18.	6.740
Tie Rod	ES2044R	.688x18	RH	0.625	0.547	0.624	.500x20	5.700
Tie Rod	ES3095	.688x18	RH	0.626	0.558	0.544	.500x20	5.370
Tie Rod	ES2I 20R	.688x18	RH	0.704	0.628	0.608	.562x18	5.180
Tie Rod	ES445R	.688x18	RH	0.623	0.554	0.552	.500x20	4.500
Tie Rod	ES2223R	.688x18	RH	0.626	0.543	0.664	.500x20	4.410
Tie Rod	ES2075R	.688x18	RH	0.704	0.624	0.640	.562x18	4.250
Tie Rod	ES352R	.688x18	RH	0.626	0.554	0.576	.500x20	4.000
Tie Rod	ES335L	.688x18	RH	0.623	0.558	0.520	.500x20	4.000
Tie Rod	ES335R	.688x18	RH	0.623	0.558	0.520	.500x20	4.000
Tie Rod	ES354R	.688x18	RH	0.623	0.543	0.640	.500x20	3.880
Tie Rod	ES314R	.688x18	RH	0.623	0.558	0.520	.500x20	3.880
Tie Rod	ES262R	.688x18	RH	0.704	0.612	0.736	.562x1B	3.380
Tie Rod	ES60R	.688x18	RH	0.719	0.664	0.440	.562x18	3.380
Tie Rod	ES288R	.688x18	RH	0.623	0.544	0.632	.500x20	3.120
Tie Rod	ES416R	.688x18	RH	0.623	0.568	0.440	.500x20	3.120
Tie Rod	ES140R	.688x18	RH	0.623	0.544	0.632	.500x20	3.100

Tie Rod	ES2838	.688x18	LH	0.626	0.553	0.584	M12x1.75	7.360
Tie Rod	ES428R	.688x18	RH	0.623	0.536	0.696	.500x20	7.440
Tie Rod	ES2017R	.688x18	RH	0.750	0.666	0.672	.625x18.	6.740
Tie Rod	ES2044R	.688x18	RH	0.625	0.547	0.624	.500x20	5.700
Tie Rod	ES3095	.688x18	RH	0.626	0.558	0.544	.500x20	5.370
Tie Rod	ES2I 20R	.688x18	RH	0.704	0.628	0.608	.562x18	5.180
Tie Rod	ES445R	.688x18	RH	0.623	0.554	0.552	.500x20	4.500
Tie Rod	ES2223R	.688x18	RH	0.626	0.543	0.664	.500x20	4.410
Tie Rod	ES2075R	.688x18	RH	0.704	0.624	0.640	.562x18	4.250
Tie Rod	ES352R	.688x18	RH	0.626	0.554	0.576	.500x20	4.000
Tie Rod	ES335L	.688x18	RH	0.623	0.558	0.520	.500x20	4.000
Tie Rod	ES335R	.688x18	RH	0.623	0.558	0.520	.500x20	4.000
Tie Rod	ES354R	.688x18	RH	0.623	0.543	0.640	.500x20	3.880
Tie Rod	ES314R	.688x18	RH	0.623	0.558	0.520	.500x20	3.880
Tie Rod	ES262R	.688x18	RH	0.704	0.612	0.736	.562x1B	3.380
Tie Rod	ES60R	.688x18	RH	0.719	0.664	0.440	.562x18	3.380
Tie Rod	ES288R	.688x18	RH	0.623	0.544	0.632	.500x20	3.120
Tie Rod	ES416R	.688x18	RH	0.623	0.568	0.440	.500x20	3.120
Tie Rod	ES140R	.688x18	RH	0.623	0.544	0.632	.500x20	3.100

Tie Rod	ES355L	.688x18	LH	0.623	0.554	0.552	.500x20	4.000
Tie Rod	ES428R	.688x18	RH	0.623	0.536	0.696	.500x20	7.440
Tie Rod	ES2017R	.688x18	RH	0.750	0.666	0.672	.625x18.	6.740
Tie Rod	ES2044R	.688x18	RH	0.625	0.547	0.624	.500x20	5.700
Tie Rod	ES3095	.688x18	RH	0.626	0.558	0.544	.500x20	5.370
Tie Rod	ES2I 20R	.688x18	RH	0.704	0.628	0.608	.562x18	5.180
Tie Rod	ES445R	.688x18	RH	0.623	0.554	0.552	.500x20	4.500

Tie Rod	ES2223R	.688x18	RH	0.626	0.543	0.664	.500x20	4.410
Tie Rod	ES2075R	.688x18	RH	0.704	0.624	0.640	.562x18	4.250
Tie Rod	ES352R	.688x18	RH	0.626	0.554	0.576	.500x20	4.000
Tie Rod	ES335L	.688x18	RH	0.623	0.558	0.520	.500x20	4.000
Tie Rod	ES335R	.688x18	RH	0.623	0.558	0.520	.500x20	4.000
Tie Rod	ES354R	.688x18	RH	0.623	0.543	0.640	.500x20	3.880
Tie Rod	ES314R	.688x18	RH	0.623	0.558	0.520	.500x20	3.880
Tie Rod	ES262R	.688x18	RH	0.704	0.612	0.736	.562x1B	3.380
Tie Rod	ES60R	.688x18	RH	0.719	0.664	0.440	.562x18	3.380
Tie Rod	ES288R	.688x18	RH	0.623	0.544	0.632	.500x20	3.120
Tie Rod	ES416R	.688x18	RH	0.623	0.568	0.440	.500x20	3.120
Tie Rod	ES140R	.688x18	RH	0.623	0.544	0.632	.500x20	3.100

Tie Rod	ES439L	.688x18	LH	0.623	0.554	0.552	.500x20	4.080
Tie Rod	ES428R	.688x18	RH	0.623	0.536	0.696	.500x20	7.440
Tie Rod	ES2017R	.688x18	RH	0.750	0.666	0.672	.625x18.	6.740
Tie Rod	ES2044R	.688x18	RH	0.625	0.547	0.624	.500x20	5.700
Tie Rod	ES3095	.688x18	RH	0.626	0.558	0.544	.500x20	5.370
Tie Rod	ES2I 20R	.688x18	RH	0.704	0.628	0.608	.562x18	5.180
Tie Rod	ES445R	.688x18	RH	0.623	0.554	0.552	.500x20	4.500
Tie Rod	ES2223R	.688x18	RH	0.626	0.543	0.664	.500x20	4.410
Tie Rod	ES2075R	.688x18	RH	0.704	0.624	0.640	.562x18	4.250
Tie Rod	ES352R	.688x18	RH	0.626	0.554	0.576	.500x20	4.000
Tie Rod	ES335L	.688x18	RH	0.623	0.558	0.520	.500x20	4.000
Tie Rod	ES335R	.688x18	RH	0.623	0.558	0.520	.500x20	4.000
Tie Rod	ES354R	.688x18	RH	0.623	0.543	0.640	.500x20	3.880
Tie Rod	ES314R	.688x18	RH	0.623	0.558	0.520	.500x20	3.880
Tie Rod	ES262R	.688x18	RH	0.704	0.612	0.736	.562x1B	3.380
Tie Rod	ES60R	.688x18	RH	0.719	0.664	0.440	.562x18	3.380
Tie Rod	ES288R	.688x18	RH	0.623	0.544	0.632	.500x20	3.120
Tie Rod	ES416R	.688x18	RH	0.623	0.568	0.440	.500x20	3.120
Tie Rod	ES140R	.688x18	RH	0.623	0.544	0.632	.500x20	3.100

Tie Rod	ES4S5L	.688x18	LH	0.623	0.554	0.552	.500x20	4.080
Tie Rod	ES428R	.688x18	RH	0.623	0.536	0.696	.500x20	7.440
Tie Rod	ES2017R	.688x18	RH	0.750	0.666	0.672	.625x18.	6.740
Tie Rod	ES2044R	.688x18	RH	0.625	0.547	0.624	.500x20	5.700
Tie Rod	ES3095	.688x18	RH	0.626	0.558	0.544	.500x20	5.370
Tie Rod	ES2I 20R	.688x18	RH	0.704	0.628	0.608	.562x18	5.180
Tie Rod	ES445R	.688x18	RH	0.623	0.554	0.552	.500x20	4.500
Tie Rod	ES2223R	.688x18	RH	0.626	0.543	0.664	.500x20	4.410
Tie Rod	ES2075R	.688x18	RH	0.704	0.624	0.640	.562x18	4.250
Tie Rod	ES352R	.688x18	RH	0.626	0.554	0.576	.500x20	4.000
Tie Rod	ES335L	.688x18	RH	0.623	0.558	0.520	.500x20	4.000
Tie Rod	ES335R	.688x18	RH	0.623	0.558	0.520	.500x20	4.000
Tie Rod	ES354R	.688x18	RH	0.623	0.543	0.640	.500x20	3.880
Tie Rod	ES314R	.688x18	RH	0.623	0.558	0.520	.500x20	3.880
Tie Rod	ES262R	.688x18	RH	0.704	0.612	0.736	.562x1B	3.380

Tie Rod	ES60R	.688x18	RH	0.719	0.664	0.440	.562x18	3.380
Tie Rod	ES288R	.688x18	RH	0.623	0.544	0.632	.500x20	3.120
Tie Rod	ES416R	.688x18	RH	0.623	0.568	0.440	.500x20	3.120
Tie Rod	ES140R	.688x18	RH	0.623	0.544	0.632	.500x20	3.100

Tie Rod	ES397L	.688x18	LH	0.623	0.554	0.552	.500x20	4.260
Tie Rod	ES428R	.688x18	RH	0.623	0.536	0.696	.500x20	7.440
Tie Rod	ES2017R	.688x18	RH	0.750	0.666	0.672	.625x18.	6.740
Tie Rod	ES2044R	.688x18	RH	0.625	0.547	0.624	.500x20	5.700
Tie Rod	ES3095	.688x18	RH	0.626	0.558	0.544	.500x20	5.370
Tie Rod	ES2I 20R	.688x18	RH	0.704	0.628	0.608	.562x18	5.180
Tie Rod	ES445R	.688x18	RH	0.623	0.554	0.552	.500x20	4.500
Tie Rod	ES2223R	.688x18	RH	0.626	0.543	0.664	.500x20	4.410
Tie Rod	ES2075R	.688x18	RH	0.704	0.624	0.640	.562x18	4.250
Tie Rod	ES352R	.688x18	RH	0.626	0.554	0.576	.500x20	4.000
Tie Rod	ES335L	.688x18	RH	0.623	0.558	0.520	.500x20	4.000
Tie Rod	ES335R	.688x18	RH	0.623	0.558	0.520	.500x20	4.000
Tie Rod	ES354R	.688x18	RH	0.623	0.543	0.640	.500x20	3.880
Tie Rod	ES314R	.688x18	RH	0.623	0.558	0.520	.500x20	3.880
Tie Rod	ES262R	.688x18	RH	0.704	0.612	0.736	.562x1B	3.380
Tie Rod	ES60R	.688x18	RH	0.719	0.664	0.440	.562x18	3.380
Tie Rod	ES288R	.688x18	RH	0.623	0.544	0.632	.500x20	3.120
Tie Rod	ES416R	.688x18	RH	0.623	0.568	0.440	.500x20	3.120
Tie Rod	ES140R	.688x18	RH	0.623	0.544	0.632	.500x20	3.100

Tie Rod	ES3094	.688x18	LH	0.626	0.558	0.544	.500x20	5.370
Tie Rod	ES428R	.688x18	RH	0.623	0.536	0.696	.500x20	7.440
Tie Rod	ES2017R	.688x18	RH	0.750	0.666	0.672	.625x18.	6.740
Tie Rod	ES2044R	.688x18	RH	0.625	0.547	0.624	.500x20	5.700
Tie Rod	ES3095	.688x18	RH	0.626	0.558	0.544	.500x20	5.370
Tie Rod	ES2I 20R	.688x18	RH	0.704	0.628	0.608	.562x18	5.180
Tie Rod	ES445R	.688x18	RH	0.623	0.554	0.552	.500x20	4.500
Tie Rod	ES2223R	.688x18	RH	0.626	0.543	0.664	.500x20	4.410
Tie Rod	ES2075R	.688x18	RH	0.704	0.624	0.640	.562x18	4.250
Tie Rod	ES352R	.688x18	RH	0.626	0.554	0.576	.500x20	4.000
Tie Rod	ES335L	.688x18	RH	0.623	0.558	0.520	.500x20	4.000
Tie Rod	ES335R	.688x18	RH	0.623	0.558	0.520	.500x20	4.000
Tie Rod	ES354R	.688x18	RH	0.623	0.543	0.640	.500x20	3.880
Tie Rod	ES314R	.688x18	RH	0.623	0.558	0.520	.500x20	3.880
Tie Rod	ES262R	.688x18	RH	0.704	0.612	0.736	.562x1B	3.380
Tie Rod	ES60R	.688x18	RH	0.719	0.664	0.440	.562x18	3.380
Tie Rod	ES288R	.688x18	RH	0.623	0.544	0.632	.500x20	3.120
Tie Rod	ES416R	.688x18	RH	0.623	0.568	0.440	.500x20	3.120
Tie Rod	ES140R	.688x18	RH	0.623	0.544	0.632	.500x20	3.100

Tie Rod	ES41BL	.688x18	LH	0.623	0.568	0.440	.500x20	3.120
Tie Rod	ES428R	.688x18	RH	0.623	0.536	0.696	.500x20	7.440

Tie Rod	ES2017R	.688x18	RH	0.750	0.666	0.672	.625x18.	6.740
Tie Rod	ES2044R	.688x18	RH	0.625	0.547	0.624	.500x20	5.700
Tie Rod	ES3095	.688x18	RH	0.626	0.558	0.544	.500x20	5.370
Tie Rod	ES2I 20R	.688x18	RH	0.704	0.628	0.608	.562x18	5.180
Tie Rod	ES445R	.688x18	RH	0.623	0.554	0.552	.500x20	4.500
Tie Rod	ES2223R	.688x18	RH	0.626	0.543	0.664	.500x20	4.410
Tie Rod	ES2075R	.688x18	RH	0.704	0.624	0.640	.562x18	4.250
Tie Rod	ES352R	.688x18	RH	0.626	0.554	0.576	.500x20	4.000
Tie Rod	ES335L	.688x18	RH	0.623	0.558	0.520	.500x20	4.000
Tie Rod	ES335R	.688x18	RH	0.623	0.558	0.520	.500x20	4.000
Tie Rod	ES354R	.688x18	RH	0.623	0.543	0.640	.500x20	3.880
Tie Rod	ES314R	.688x18	RH	0.623	0.558	0.520	.500x20	3.880
Tie Rod	ES262R	.688x18	RH	0.704	0.612	0.736	.562x1B	3.380
Tie Rod	ES60R	.688x18	RH	0.719	0.664	0.440	.562x18	3.380
Tie Rod	ES288R	.688x18	RH	0.623	0.544	0.632	.500x20	3.120
Tie Rod	ES416R	.688x18	RH	0.623	0.568	0.440	.500x20	3.120
Tie Rod	ES140R	.688x18	RH	0.623	0.544	0.632	.500x20	3.100

Tie Rod	ES344L	.688x18	LH	0.623	0.568	0.440	.500x20	3.880
Tie Rod	ES428R	.688x18	RH	0.623	0.536	0.696	.500x20	7.440
Tie Rod	ES2017R	.688x18	RH	0.750	0.666	0.672	.625x18.	6.740
Tie Rod	ES2044R	.688x18	RH	0.625	0.547	0.624	.500x20	5.700
Tie Rod	ES3095	.688x18	RH	0.626	0.558	0.544	.500x20	5.370
Tie Rod	ES2I 20R	.688x18	RH	0.704	0.628	0.608	.562x18	5.180
Tie Rod	ES445R	.688x18	RH	0.623	0.554	0.552	.500x20	4.500
Tie Rod	ES2223R	.688x18	RH	0.626	0.543	0.664	.500x20	4.410
Tie Rod	ES2075R	.688x18	RH	0.704	0.624	0.640	.562x18	4.250
Tie Rod	ES352R	.688x18	RH	0.626	0.554	0.576	.500x20	4.000
Tie Rod	ES335L	.688x18	RH	0.623	0.558	0.520	.500x20	4.000
Tie Rod	ES335R	.688x18	RH	0.623	0.558	0.520	.500x20	4.000
Tie Rod	ES354R	.688x18	RH	0.623	0.543	0.640	.500x20	3.880
Tie Rod	ES314R	.688x18	RH	0.623	0.558	0.520	.500x20	3.880
Tie Rod	ES262R	.688x18	RH	0.704	0.612	0.736	.562x1B	3.380
Tie Rod	ES60R	.688x18	RH	0.719	0.664	0.440	.562x18	3.380
Tie Rod	ES288R	.688x18	RH	0.623	0.544	0.632	.500x20	3.120
Tie Rod	ES416R	.688x18	RH	0.623	0.568	0.440	.500x20	3.120
Tie Rod	ES140R	.688x18	RH	0.623	0.544	0.632	.500x20	3.100

Tie Rod	ES285R	.688x18	LH	0.626	0.568	0.464	.500x20	3.870
Tie Rod	ES428R	.688x18	RH	0.623	0.536	0.696	.500x20	7.440
Tie Rod	ES2017R	.688x18	RH	0.750	0.666	0.672	.625x18.	6.740
Tie Rod	ES2044R	.688x18	RH	0.625	0.547	0.624	.500x20	5.700
Tie Rod	ES3095	.688x18	RH	0.626	0.558	0.544	.500x20	5.370
Tie Rod	ES2I 20R	.688x18	RH	0.704	0.628	0.608	.562x18	5.180
Tie Rod	ES445R	.688x18	RH	0.623	0.554	0.552	.500x20	4.500
Tie Rod	ES2223R	.688x18	RH	0.626	0.543	0.664	.500x20	4.410
Tie Rod	ES2075R	.688x18	RH	0.704	0.624	0.640	.562x18	4.250
Tie Rod	ES352R	.688x18	RH	0.626	0.554	0.576	.500x20	4.000

Tie Rod	ES335L	.688x18	RH	0.623	0.558	0.520	.500x20	4.000
Tie Rod	ES335R	.688x18	RH	0.623	0.558	0.520	.500x20	4.000
Tie Rod	ES354R	.688x18	RH	0.623	0.543	0.640	.500x20	3.880
Tie Rod	ES314R	.688x18	RH	0.623	0.558	0.520	.500x20	3.880
Tie Rod	ES262R	.688x18	RH	0.704	0.612	0.736	.562x1B	3.380
Tie Rod	ES60R	.688x18	RH	0.719	0.664	0.440	.562x18	3.380
Tie Rod	ES288R	.688x18	RH	0.623	0.544	0.632	.500x20	3.120
Tie Rod	ES416R	.688x18	RH	0.623	0.568	0.440	.500x20	3.120
Tie Rod	ES140R	.688x18	RH	0.623	0.544	0.632	.500x20	3.100

Tie Rod	ES262L	.688x18	LH	0.704	0.612	0.736	.562x18	3.380
Tie Rod	ES428R	.688x18	RH	0.623	0.536	0.696	.500x20	7.440
Tie Rod	ES2017R	.688x18	RH	0.750	0.666	0.672	.625x18.	6.740
Tie Rod	ES2044R	.688x18	RH	0.625	0.547	0.624	.500x20	5.700
Tie Rod	ES3095	.688x18	RH	0.626	0.558	0.544	.500x20	5.370
Tie Rod	ES2I 20R	.688x18	RH	0.704	0.628	0.608	.562x18	5.180
Tie Rod	ES445R	.688x18	RH	0.623	0.554	0.552	.500x20	4.500
Tie Rod	ES2223R	.688x18	RH	0.626	0.543	0.664	.500x20	4.410
Tie Rod	ES2075R	.688x18	RH	0.704	0.624	0.640	.562x18	4.250
Tie Rod	ES352R	.688x18	RH	0.626	0.554	0.576	.500x20	4.000
Tie Rod	ES335L	.688x18	RH	0.623	0.558	0.520	.500x20	4.000
Tie Rod	ES335R	.688x18	RH	0.623	0.558	0.520	.500x20	4.000
Tie Rod	ES354R	.688x18	RH	0.623	0.543	0.640	.500x20	3.880
Tie Rod	ES314R	.688x18	RH	0.623	0.558	0.520	.500x20	3.880
Tie Rod	ES262R	.688x18	RH	0.704	0.612	0.736	.562x1B	3.380
Tie Rod	ES60R	.688x18	RH	0.719	0.664	0.440	.562x18	3.380
Tie Rod	ES288R	.688x18	RH	0.623	0.544	0.632	.500x20	3.120
Tie Rod	ES416R	.688x18	RH	0.623	0.568	0.440	.500x20	3.120
Tie Rod	ES140R	.688x18	RH	0.623	0.544	0.632	.500x20	3.100

Tie Rod	ES2076L	.688x18	LH	0.704	0.624	0.640	.562x18	4.250
Tie Rod	ES428R	.688x18	RH	0.623	0.536	0.696	.500x20	7.440
Tie Rod	ES2017R	.688x18	RH	0.750	0.666	0.672	.625x18.	6.740
Tie Rod	ES2044R	.688x18	RH	0.625	0.547	0.624	.500x20	5.700
Tie Rod	ES3095	.688x18	RH	0.626	0.558	0.544	.500x20	5.370
Tie Rod	ES2I 20R	.688x18	RH	0.704	0.628	0.608	.562x18	5.180
Tie Rod	ES445R	.688x18	RH	0.623	0.554	0.552	.500x20	4.500
Tie Rod	ES2223R	.688x18	RH	0.626	0.543	0.664	.500x20	4.410
Tie Rod	ES2075R	.688x18	RH	0.704	0.624	0.640	.562x18	4.250
Tie Rod	ES352R	.688x18	RH	0.626	0.554	0.576	.500x20	4.000
Tie Rod	ES335L	.688x18	RH	0.623	0.558	0.520	.500x20	4.000
Tie Rod	ES335R	.688x18	RH	0.623	0.558	0.520	.500x20	4.000
Tie Rod	ES354R	.688x18	RH	0.623	0.543	0.640	.500x20	3.880
Tie Rod	ES314R	.688x18	RH	0.623	0.558	0.520	.500x20	3.880
Tie Rod	ES262R	.688x18	RH	0.704	0.612	0.736	.562x1B	3.380
Tie Rod	ES60R	.688x18	RH	0.719	0.664	0.440	.562x18	3.380
Tie Rod	ES288R	.688x18	RH	0.623	0.544	0.632	.500x20	3.120
Tie Rod	ES416R	.688x18	RH	0.623	0.568	0.440	.500x20	3.120

Tie Rod	ES140R	.688x18	RH	0.623	0.544	0.632	.500x20	3.100
Tie Rod	ES2121L	.688x18	LH	0.704	0.628	0.608	.562x1B	5.180
Tie Rod	ES2001L	.688x18	LH	0.623	0.516	0.856	.438x20	8.570
Tie Rod	ES428R	.688x18	RH	0.623	0.536	0.696	.500x20	7.440
Tie Rod	ES2044R	.688x18	RH	0.625	0.547	0.624	.500x20	5.700
Tie Rod	ES3095	.688x18	RH	0.626	0.558	0.544	.500x20	5.370
Tie Rod	ES2I 20R	.688x18	RH	0.704	0.628	0.608	.562x18	5.180
Tie Rod	ES445R	.688x18	RH	0.623	0.554	0.552	.500x20	4.500
Tie Rod	ES2223R	.688x18	RH	0.626	0.543	0.664	.500x20	4.410
Tie Rod	ES2075R	.688x18	RH	0.704	0.624	0.640	.562x18	4.250
Tie Rod	ES352R	.688x18	RH	0.626	0.554	0.576	.500x20	4.000
Tie Rod	ES335L	.688x18	RH	0.623	0.558	0.520	.500x20	4.000
Tie Rod	ES335R	.688x18	RH	0.623	0.558	0.520	.500x20	4.000
Tie Rod	ES354R	.688x18	RH	0.623	0.543	0.640	.500x20	3.880
Tie Rod	ES314R	.688x18	RH	0.623	0.558	0.520	.500x20	3.880
Tie Rod	ES262R	.688x18	RH	0.704	0.612	0.736	.562x1B	3.380
Tie Rod	ES60R	.688x18	RH	0.719	0.664	0.440	.562x18	3.380
Tie Rod	ES288R	.688x18	RH	0.623	0.544	0.632	.500x20	3.120
Tie Rod	ES416R	.688x18	RH	0.623	0.568	0.440	.500x20	3.120
Tie Rod	ES140R	.688x18	RH	0.623	0.544	0.632	.500x20	3.100

Tie Rod	ES2002L	.688x18	LH	0.623	0.516	0.856	.438x20'	8.570
Tie Rod	ES428R	.688x18	RH	0.623	0.536	0.696	.500x20	7.440
Tie Rod	ES2017R	.688x18	RH	0.750	0.666	0.672	.625x18.	6.740
Tie Rod	ES2044R	.688x18	RH	0.625	0.547	0.624	.500x20	5.700
Tie Rod	ES3095	.688x18	RH	0.626	0.558	0.544	.500x20	5.370
Tie Rod	ES2I 20R	.688x18	RH	0.704	0.628	0.608	.562x18	5.180
Tie Rod	ES445R	.688x18	RH	0.623	0.554	0.552	.500x20	4.500
Tie Rod	ES2223R	.688x18	RH	0.626	0.543	0.664	.500x20	4.410
Tie Rod	ES2075R	.688x18	RH	0.704	0.624	0.640	.562x18	4.250
Tie Rod	ES352R	.688x18	RH	0.626	0.554	0.576	.500x20	4.000
Tie Rod	ES335L	.688x18	RH	0.623	0.558	0.520	.500x20	4.000
Tie Rod	ES335R	.688x18	RH	0.623	0.558	0.520	.500x20	4.000
Tie Rod	ES354R	.688x18	RH	0.623	0.543	0.640	.500x20	3.880
Tie Rod	ES314R	.688x18	RH	0.623	0.558	0.520	.500x20	3.880
Tie Rod	ES262R	.688x18	RH	0.704	0.612	0.736	.562x1B	3.380
Tie Rod	ES60R	.688x18	RH	0.719	0.664	0.440	.562x18	3.380
Tie Rod	ES288R	.688x18	RH	0.623	0.544	0.632	.500x20	3.120
Tie Rod	ES416R	.688x18	RH	0.623	0.568	0.440	.500x20	3.120
Tie Rod	ES140R	.688x18	RH	0.623	0.544	0.632	.500x20	3.100

Tie Rod	ES2020L	.688x18	LH	0.623	0.516	0.856	.438x20	8.790
Tie Rod	ES428R	.688x18	RH	0.623	0.536	0.696	.500x20	7.440
Tie Rod	ES2017R	.688x18	RH	0.750	0.666	0.672	.625x18.	6.740
Tie Rod	ES2044R	.688x18	RH	0.625	0.547	0.624	.500x20	5.700
Tie Rod	ES3095	.688x18	RH	0.626	0.558	0.544	.500x20	5.370



Tie Rod	ES2I 20R	.688x18	RH	0.704	0.628	0.608	.562x18	5.180
Tie Rod	ES445R	.688x18	RH	0.623	0.554	0.552	.500x20	4.500
Tie Rod	ES2223R	.688x18	RH	0.626	0.543	0.664	.500x20	4.410
Tie Rod	ES2075R	.688x18	RH	0.704	0.624	0.640	.562x18	4.250
Tie Rod	ES352R	.688x18	RH	0.626	0.554	0.576	.500x20	4.000
Tie Rod	ES335L	.688x18	RH	0.623	0.558	0.520	.500x20	4.000
Tie Rod	ES335R	.688x18	RH	0.623	0.558	0.520	.500x20	4.000
Tie Rod	ES354R	.688x18	RH	0.623	0.543	0.640	.500x20	3.880
Tie Rod	ES314R	.688x18	RH	0.623	0.558	0.520	.500x20	3.880
Tie Rod	ES262R	.688x18	RH	0.704	0.612	0.736	.562x1B	3.380
Tie Rod	ES60R	.688x18	RH	0.719	0.664	0.440	.562x18	3.380
Tie Rod	ES288R	.688x18	RH	0.623	0.544	0.632	.500x20	3.120
Tie Rod	ES416R	.688x18	RH	0.623	0.568	0.440	.500x20	3.120
Tie Rod	ES140R	.688x18	RH	0.623	0.544	0.632	.500x20	3.100

Tie Rod	ES442L	.688x18	LH	0.623	0.516	0.856	.438x20	9.160
Tie Rod	ES428R	.688x18	RH	0.623	0.536	0.696	.500x20	7.440
Tie Rod	ES2017R	.688x18	RH	0.750	0.666	0.672	.625x18.	6.740
Tie Rod	ES2044R	.688x18	RH	0.625	0.547	0.624	.500x20	5.700
Tie Rod	ES3095	.688x18	RH	0.626	0.558	0.544	.500x20	5.370
Tie Rod	ES2I 20R	.688x18	RH	0.704	0.628	0.608	.562x18	5.180
Tie Rod	ES445R	.688x18	RH	0.623	0.554	0.552	.500x20	4.500
Tie Rod	ES2223R	.688x18	RH	0.626	0.543	0.664	.500x20	4.410
Tie Rod	ES2075R	.688x18	RH	0.704	0.624	0.640	.562x18	4.250
Tie Rod	ES352R	.688x18	RH	0.626	0.554	0.576	.500x20	4.000
Tie Rod	ES335L	.688x18	RH	0.623	0.558	0.520	.500x20	4.000
Tie Rod	ES335R	.688x18	RH	0.623	0.558	0.520	.500x20	4.000
Tie Rod	ES354R	.688x18	RH	0.623	0.543	0.640	.500x20	3.880
Tie Rod	ES314R	.688x18	RH	0.623	0.558	0.520	.500x20	3.880
Tie Rod	ES262R	.688x18	RH	0.704	0.612	0.736	.562x1B	3.380
Tie Rod	ES60R	.688x18	RH	0.719	0.664	0.440	.562x18	3.380
Tie Rod	ES288R	.688x18	RH	0.623	0.544	0.632	.500x20	3.120
Tie Rod	ES416R	.688x18	RH	0.623	0.568	0.440	.500x20	3.120
Tie Rod	ES140R	.688x18	RH	0.623	0.544	0.632	.500x20	3.100

Tie Rod	ES443L	.688x18	LH	0.623	0.516	0.856	.438x20	9.160
Tie Rod	ES428R	.688x18	RH	0.623	0.536	0.696	.500x20	7.440
Tie Rod	ES2017R	.688x18	RH	0.750	0.666	0.672	.625x18.	6.740
Tie Rod	ES2044R	.688x18	RH	0.625	0.547	0.624	.500x20	5.700
Tie Rod	ES3095	.688x18	RH	0.626	0.558	0.544	.500x20	5.370
Tie Rod	ES2I 20R	.688x18	RH	0.704	0.628	0.608	.562x18	5.180
Tie Rod	ES445R	.688x18	RH	0.623	0.554	0.552	.500x20	4.500
Tie Rod	ES2223R	.688x18	RH	0.626	0.543	0.664	.500x20	4.410
Tie Rod	ES2075R	.688x18	RH	0.704	0.624	0.640	.562x18	4.250
Tie Rod	ES352R	.688x18	RH	0.626	0.554	0.576	.500x20	4.000
Tie Rod	ES335L	.688x18	RH	0.623	0.558	0.520	.500x20	4.000
Tie Rod	ES335R	.688x18	RH	0.623	0.558	0.520	.500x20	4.000
Tie Rod	ES354R	.688x18	RH	0.623	0.543	0.640	.500x20	3.880

Tie Rod	ES314R	.688x18	RH	0.623	0.558	0.520	.500x20	3.880
Tie Rod	ES262R	.688x18	RH	0.704	0.612	0.736	.562x1B	3.380
Tie Rod	ES60R	.688x18	RH	0.719	0.664	0.440	.562x18	3.380
Tie Rod	ES288R	.688x18	RH	0.623	0.544	0.632	.500x20	3.120
Tie Rod	ES416R	.688x18	RH	0.623	0.568	0.440	.500x20	3.120
Tie Rod	ES140R	.688x18	RH	0.623	0.544	0.632	.500x20	3.100

Tie Rod	ES402L	.688x18	LH	0.623	0.543	0.640	.500x20	9.680
Tie Rod	ES428R	.688x18	RH	0.623	0.536	0.696	.500x20	7.440
Tie Rod	ES2017R	.688x18	RH	0.750	0.666	0.672	.625x18.	6.740
Tie Rod	ES2044R	.688x18	RH	0.625	0.547	0.624	.500x20	5.700
Tie Rod	ES3095	.688x18	RH	0.626	0.558	0.544	.500x20	5.370
Tie Rod	ES2I 20R	.688x18	RH	0.704	0.628	0.608	.562x18	5.180
Tie Rod	ES445R	.688x18	RH	0.623	0.554	0.552	.500x20	4.500
Tie Rod	ES2223R	.688x18	RH	0.626	0.543	0.664	.500x20	4.410
Tie Rod	ES2075R	.688x18	RH	0.704	0.624	0.640	.562x18	4.250
Tie Rod	ES352R	.688x18	RH	0.626	0.554	0.576	.500x20	4.000
Tie Rod	ES335L	.688x18	RH	0.623	0.558	0.520	.500x20	4.000
Tie Rod	ES335R	.688x18	RH	0.623	0.558	0.520	.500x20	4.000
Tie Rod	ES354R	.688x18	RH	0.623	0.543	0.640	.500x20	3.880
Tie Rod	ES314R	.688x18	RH	0.623	0.558	0.520	.500x20	3.880
Tie Rod	ES262R	.688x18	RH	0.704	0.612	0.736	.562x1B	3.380
Tie Rod	ES60R	.688x18	RH	0.719	0.664	0.440	.562x18	3.380
Tie Rod	ES288R	.688x18	RH	0.623	0.544	0.632	.500x20	3.120
Tie Rod	ES416R	.688x18	RH	0.623	0.568	0.440	.500x20	3.120
Tie Rod	ES140R	.688x18	RH	0.623	0.544	0.632	.500x20	3.100

Tie Rod	ES403L	.688x18	LH	0.625	0.547	0.624	.500x20	8.800
Tie Rod	ES428R	.688x18	RH	0.623	0.536	0.696	.500x20	7.440
Tie Rod	ES2017R	.688x18	RH	0.750	0.666	0.672	.625x18.	6.740
Tie Rod	ES2044R	.688x18	RH	0.625	0.547	0.624	.500x20	5.700
Tie Rod	ES3095	.688x18	RH	0.626	0.558	0.544	.500x20	5.370
Tie Rod	ES2I 20R	.688x18	RH	0.704	0.628	0.608	.562x18	5.180
Tie Rod	ES445R	.688x18	RH	0.623	0.554	0.552	.500x20	4.500
Tie Rod	ES2223R	.688x18	RH	0.626	0.543	0.664	.500x20	4.410
Tie Rod	ES2075R	.688x18	RH	0.704	0.624	0.640	.562x18	4.250
Tie Rod	ES352R	.688x18	RH	0.626	0.554	0.576	.500x20	4.000
Tie Rod	ES335L	.688x18	RH	0.623	0.558	0.520	.500x20	4.000
Tie Rod	ES335R	.688x18	RH	0.623	0.558	0.520	.500x20	4.000
Tie Rod	ES354R	.688x18	RH	0.623	0.543	0.640	.500x20	3.880
Tie Rod	ES314R	.688x18	RH	0.623	0.558	0.520	.500x20	3.880
Tie Rod	ES262R	.688x18	RH	0.704	0.612	0.736	.562x1B	3.380
Tie Rod	ES60R	.688x18	RH	0.719	0.664	0.440	.562x18	3.380
Tie Rod	ES288R	.688x18	RH	0.623	0.544	0.632	.500x20	3.120
Tie Rod	ES416R	.688x18	RH	0.623	0.568	0.440	.500x20	3.120
Tie Rod	ES140R	.688x18	RH	0.623	0.544	0.632	.500x20	3.100

Tie Rod	ES2047L	.688x18	LH	0.623	0.551	0.576	.500x20	8.790
Tie Rod	ES428R	.688x18	RH	0.623	0.536	0.696	.500x20	7.440
Tie Rod	ES2017R	.688x18	RH	0.750	0.666	0.672	.625x18.	6.740
Tie Rod	ES2044R	.688x18	RH	0.625	0.547	0.624	.500x20	5.700
Tie Rod	ES3095	.688x18	RH	0.626	0.558	0.544	.500x20	5.370
Tie Rod	ES2I 20R	.688x18	RH	0.704	0.628	0.608	.562x18	5.180
Tie Rod	ES445R	.688x18	RH	0.623	0.554	0.552	.500x20	4.500
Tie Rod	ES2223R	.688x18	RH	0.626	0.543	0.664	.500x20	4.410
Tie Rod	ES2075R	.688x18	RH	0.704	0.624	0.640	.562x18	4.250
Tie Rod	ES352R	.688x18	RH	0.626	0.554	0.576	.500x20	4.000
Tie Rod	ES335L	.688x18	RH	0.623	0.558	0.520	.500x20	4.000
Tie Rod	ES335R	.688x18	RH	0.623	0.558	0.520	.500x20	4.000
Tie Rod	ES354R	.688x18	RH	0.623	0.543	0.640	.500x20	3.880
Tie Rod	ES314R	.688x18	RH	0.623	0.558	0.520	.500x20	3.880
Tie Rod	ES262R	.688x18	RH	0.704	0.612	0.736	.562x1B	3.380
Tie Rod	ES60R	.688x18	RH	0.719	0.664	0.440	.562x18	3.380
Tie Rod	ES288R	.688x18	RH	0.623	0.544	0.632	.500x20	3.120
Tie Rod	ES416R	.688x18	RH	0.623	0.568	0.440	.500x20	3.120
Tie Rod	ES140R	.688x18	RH	0.623	0.544	0.632	.500x20	3.100

Tie Rod	ES436L	.688x18	LH	0.623	0.554	0.552	.500x20	10.460
Tie Rod	ES428R	.688x18	RH	0.623	0.536	0.696	.500x20	7.440
Tie Rod	ES2017R	.688x18	RH	0.750	0.666	0.672	.625x18.	6.740
Tie Rod	ES2044R	.688x18	RH	0.625	0.547	0.624	.500x20	5.700
Tie Rod	ES3095	.688x18	RH	0.626	0.558	0.544	.500x20	5.370
Tie Rod	ES2I 20R	.688x18	RH	0.704	0.628	0.608	.562x18	5.180
Tie Rod	ES445R	.688x18	RH	0.623	0.554	0.552	.500x20	4.500
Tie Rod	ES2223R	.688x18	RH	0.626	0.543	0.664	.500x20	4.410
Tie Rod	ES2075R	.688x18	RH	0.704	0.624	0.640	.562x18	4.250
Tie Rod	ES352R	.688x18	RH	0.626	0.554	0.576	.500x20	4.000
Tie Rod	ES335L	.688x18	RH	0.623	0.558	0.520	.500x20	4.000
Tie Rod	ES335R	.688x18	RH	0.623	0.558	0.520	.500x20	4.000
Tie Rod	ES354R	.688x18	RH	0.623	0.543	0.640	.500x20	3.880
Tie Rod	ES314R	.688x18	RH	0.623	0.558	0.520	.500x20	3.880
Tie Rod	ES262R	.688x18	RH	0.704	0.612	0.736	.562x1B	3.380
Tie Rod	ES60R	.688x18	RH	0.719	0.664	0.440	.562x18	3.380
Tie Rod	ES288R	.688x18	RH	0.623	0.544	0.632	.500x20	3.120
Tie Rod	ES416R	.688x18	RH	0.623	0.568	0.440	.500x20	3.120
Tie Rod	ES140R	.688x18	RH	0.623	0.544	0.632	.500x20	3.100

Tie Rod	ES382L	.688x18	LH	0.623	0.558	0.520	.500x20	10.040
Tie Rod	ES428R	.688x18	RH	0.623	0.536	0.696	.500x20	7.440
Tie Rod	ES2017R	.688x18	RH	0.750	0.666	0.672	.625x18.	6.740
Tie Rod	ES2044R	.688x18	RH	0.625	0.547	0.624	.500x20	5.700
Tie Rod	ES3095	.688x18	RH	0.626	0.558	0.544	.500x20	5.370
Tie Rod	ES2I 20R	.688x18	RH	0.704	0.628	0.608	.562x18	5.180
Tie Rod	ES445R	.688x18	RH	0.623	0.554	0.552	.500x20	4.500
Tie Rod	ES2223R	.688x18	RH	0.626	0.543	0.664	.500x20	4.410

Tie Rod	ES2075R	.688x18	RH	0.704	0.624	0.640	.562x18	4.250
Tie Rod	ES352R	.688x18	RH	0.626	0.554	0.576	.500x20	4.000
Tie Rod	ES335L	.688x18	RH	0.623	0.558	0.520	.500x20	4.000
Tie Rod	ES335R	.688x18	RH	0.623	0.558	0.520	.500x20	4.000
Tie Rod	ES354R	.688x18	RH	0.623	0.543	0.640	.500x20	3.880
Tie Rod	ES314R	.688x18	RH	0.623	0.558	0.520	.500x20	3.880
Tie Rod	ES262R	.688x18	RH	0.704	0.612	0.736	.562x1B	3.380
Tie Rod	ES60R	.688x18	RH	0.719	0.664	0.440	.562x18	3.380
Tie Rod	ES288R	.688x18	RH	0.623	0.544	0.632	.500x20	3.120
Tie Rod	ES416R	.688x18	RH	0.623	0.568	0.440	.500x20	3.120
Tie Rod	ES140R	.688x18	RH	0.623	0.544	0.632	.500x20	3.100

Tie Rod	ES409L	.688x18	LH	0.747	0.666	0.648	.625x18	8.660
Tie Rod	ES428R	.688x18	RH	0.623	0.536	0.696	.500x20	7.440
Tie Rod	ES2017R	.688x18	RH	0.750	0.666	0.672	.625x18.	6.740
Tie Rod	ES2044R	.688x18	RH	0.625	0.547	0.624	.500x20	5.700
Tie Rod	ES3095	.688x18	RH	0.626	0.558	0.544	.500x20	5.370
Tie Rod	ES2I 20R	.688x18	RH	0.704	0.628	0.608	.562x18	5.180
Tie Rod	ES445R	.688x18	RH	0.623	0.554	0.552	.500x20	4.500
Tie Rod	ES2223R	.688x18	RH	0.626	0.543	0.664	.500x20	4.410
Tie Rod	ES2075R	.688x18	RH	0.704	0.624	0.640	.562x18	4.250
Tie Rod	ES352R	.688x18	RH	0.626	0.554	0.576	.500x20	4.000
Tie Rod	ES335L	.688x18	RH	0.623	0.558	0.520	.500x20	4.000
Tie Rod	ES335R	.688x18	RH	0.623	0.558	0.520	.500x20	4.000
Tie Rod	ES354R	.688x18	RH	0.623	0.543	0.640	.500x20	3.880
Tie Rod	ES314R	.688x18	RH	0.623	0.558	0.520	.500x20	3.880
Tie Rod	ES262R	.688x18	RH	0.704	0.612	0.736	.562x1B	3.380
Tie Rod	ES60R	.688x18	RH	0.719	0.664	0.440	.562x18	3.380
Tie Rod	ES288R	.688x18	RH	0.623	0.544	0.632	.500x20	3.120
Tie Rod	ES416R	.688x18	RH	0.623	0.568	0.440	.500x20	3.120
Tie Rod	ES140R	.688x18	RH	0.623	0.544	0.632	.500x20	3.100

Tie Rod	ES428R	.688x18	RH	0.623	0.536	0.696	.500x20	7.440
Tie Rod	ES428R	.688x18	RH	0.623	0.536	0.696	.500x20	7.440
Tie Rod	ES2017R	.688x18	RH	0.750	0.666	0.672	.625x18.	6.740
Tie Rod	ES2044R	.688x18	RH	0.625	0.547	0.624	.500x20	5.700
Tie Rod	ES3095	.688x18	RH	0.626	0.558	0.544	.500x20	5.370
Tie Rod	ES2I 20R	.688x18	RH	0.704	0.628	0.608	.562x18	5.180
Tie Rod	ES445R	.688x18	RH	0.623	0.554	0.552	.500x20	4.500
Tie Rod	ES2223R	.688x18	RH	0.626	0.543	0.664	.500x20	4.410
Tie Rod	ES2075R	.688x18	RH	0.704	0.624	0.640	.562x18	4.250
Tie Rod	ES352R	.688x18	RH	0.626	0.554	0.576	.500x20	4.000
Tie Rod	ES335L	.688x18	RH	0.623	0.558	0.520	.500x20	4.000
Tie Rod	ES335R	.688x18	RH	0.623	0.558	0.520	.500x20	4.000
Tie Rod	ES354R	.688x18	RH	0.623	0.543	0.640	.500x20	3.880
Tie Rod	ES314R	.688x18	RH	0.623	0.558	0.520	.500x20	3.880
Tie Rod	ES262R	.688x18	RH	0.704	0.612	0.736	.562x1B	3.380
Tie Rod	ES60R	.688x18	RH	0.719	0.664	0.440	.562x18	3.380

Tie Rod	ES288R	.688x18	RH	0.623	0.544	0.632	.500x20	3.120
Tie Rod	ES416R	.688x18	RH	0.623	0.568	0.440	.500x20	3.120
Tie Rod	ES140R	.688x18	RH	0.623	0.544	0.632	.500x20	3.100

Adjuster inches	B	C mm	D mm	mm	F mm
		15.824	13.614	17.678	188.976
		15.824	13.614	17.678	188.976
		15.824	13.792	16.256	98.552
		15.900	13.792	16.866	112.014
		15.900	13.792	16.866	112.014
		15.926	13.792	17.069	79.248
		15.824	13.818	16.053	78.740
		15.824	13.818	16.053	79.248
		15.824	13.818	16.053	79.248
		15.824	13.818	16.053	158.750
		15.875	13.894	15.850	144.780
		15.900	13.970	15.443	199.644
		15.900	14.046	14.834	186.944
		15.824	14.072	14.021	101.600
		15.824	14.072	14.021	103.632
		15.824	14.072	14.021	103.632
		15.824	14.072	14.021	108.204
		15.824	14.072	14.021	114.300
		15.900	14.072	14.630	101.600
		15.824	14.173	13.208	98.552
		15.824	14.173	13.208	101.600
		15.824	14.173	13.208	101.600
		15.900	14.173	13.818	136.398
		15.900	14.173	13.818	136.398
		15.824	14.427	11.176	79.248
		15.824	14.427	11.176	79.248
		15.824	14.427	11.176	98.552
		15.900	14.427	11.786	98.298
		17.882	15.545	18.694	85.852
		17.882	15.545	18.694	85.852
		17.882	15.850	16.256	107.950
		17.882	15.850	16.256	107.950
		17.882	15.951	15.443	131.572
		17.882	15.951	15.443	131.572
		18.263	16.866	11.176	85.852
		19.050	16.916	17.069	171.196
		15.824	13.106	21.742	217.678
		15.824	13.106	21.742	217.678
		15.824	13.106	21.742	223.266
		15.824	13.106	21.742	232.664
		15.824	13.106	21.742	232.664
		15.824	13.792	16.256	245.872
		15.875	13.894	15.850	223.520
		15.824	13.995	14.630	223.266
		15.824	14.072	14.021	265.684
		15.824	14.173	13.208	255.016
		18.974	16.916	16.459	219.964

4.260  
 4.720  
 8.120  
 8.670  
 9.630  
 14.340  
 15.150  
 24.120  
 25.900  
 40.500  
 34.680  
 36.410

Preferred Adjuster  
 Length

		15.824	13.614	17.678	188.976
Calc'd	1.080	15.824	13.614	17.678	188.976
	1.780	19.050	16.916	17.069	171.196
	2.820	15.875	13.894	15.850	144.780
	3.150	15.900	14.173	13.818	136.398
	3.340	17.882	15.951	15.443	131.572
	4.020	15.824	14.072	14.021	114.300
	4.020	15.824	14.072	14.021	114.300
	4.110	15.900	13.792	16.866	112.014
	4.270	17.882	15.850	16.256	107.950
	4.520	15.900	14.072	14.630	101.600
	4.520	15.824	14.173	13.208	101.600
	4.640	15.824	13.792	16.256	98.552
	4.640	15.824	14.173	13.208	98.552
	5.140	17.882	15.545	18.694	85.852
	5.140	18.263	16.866	11.176	85.852
	5.400	15.824	13.818	16.053	79.248
	5.400	15.824	14.427	11.176	79.248
	5.420	15.824	13.818	16.053	78.740
		15.900	13.792	16.866	112.014
	4.110	15.824	13.614	17.678	188.976
	4.810	19.050	16.916	17.069	171.196
	5.850	15.875	13.894	15.850	144.780
	6.180	15.900	14.173	13.818	136.398

6.370	17.882	15.951	15.443	131.572
7.050	15.824	14.072	14.021	114.300
7.140	15.900	13.792	16.866	112.014
7.300	17.882	15.850	16.256	107.950
7.550	15.900	14.072	14.630	101.600
7.550	15.824	14.173	13.208	101.600
7.550	15.824	14.173	13.208	101.600
7.670	15.824	13.792	16.256	98.552
7.670	15.824	14.173	13.208	98.552
8.170	17.882	15.545	18.694	85.852
8.170	18.263	16.866	11.176	85.852
8.430	15.824	13.818	16.053	79.248
8.430	15.824	14.427	11.176	79.248
8.450	15.824	13.818	16.053	78.740

	15.926	13.792	17.069	79.248
5.400	15.824	13.614	17.678	188.976
6.100	19.050	16.916	17.069	171.196
7.140	15.875	13.894	15.850	144.780
7.470	15.900	14.173	13.818	136.398
7.660	17.882	15.951	15.443	131.572
8.340	15.824	14.072	14.021	114.300
8.430	15.900	13.792	16.866	112.014
8.590	17.882	15.850	16.256	107.950
8.840	15.900	14.072	14.630	101.600
8.840	15.824	14.173	13.208	101.600
8.840	15.824	14.173	13.208	101.600
8.960	15.824	13.792	16.256	98.552
8.960	15.824	14.173	13.208	98.552
9.460	17.882	15.545	18.694	85.852
9.460	18.263	16.866	11.176	85.852
9.720	15.824	13.818	16.053	79.248
9.720	15.824	14.427	11.176	79.248
9.740	15.824	13.818	16.053	78.740

	15.824	13.818	16.053	79.248
5.400	15.824	13.614	17.678	188.976
6.100	19.050	16.916	17.069	171.196
7.140	15.875	13.894	15.850	144.780
7.470	15.900	14.173	13.818	136.398
7.660	17.882	15.951	15.443	131.572
8.340	15.824	14.072	14.021	114.300
8.430	15.900	13.792	16.866	112.014
8.590	17.882	15.850	16.256	107.950
8.840	15.900	14.072	14.630	101.600
8.840	15.824	14.173	13.208	101.600
8.840	15.824	14.173	13.208	101.600



8.960	15.824	13.792	16.256	98.552
8.960	15.824	14.173	13.208	98.552
9.460	17.882	15.545	18.694	85.852
9.460	18.263	16.866	11.176	85.852
9.720	15.824	13.818	16.053	79.248
9.720	15.824	14.427	11.176	79.248
9.740	15.824	13.818	16.053	78.740

	15.824	13.818	16.053	158.750
2.270	15.824	13.614	17.678	188.976
2.970	19.050	16.916	17.069	171.196
4.010	15.875	13.894	15.850	144.780
4.340	15.900	14.173	13.818	136.398
4.530	17.882	15.951	15.443	131.572
5.210	15.824	14.072	14.021	114.300
5.300	15.900	13.792	16.866	112.014
5.460	17.882	15.850	16.256	107.950
5.710	15.900	14.072	14.630	101.600
5.710	15.824	14.173	13.208	101.600
5.710	15.824	14.173	13.208	101.600
5.830	15.824	13.792	16.256	98.552
5.830	15.824	14.173	13.208	98.552
6.330	17.882	15.545	18.694	85.852
6.330	18.263	16.866	11.176	85.852
6.590	15.824	13.818	16.053	79.248
6.590	15.824	14.427	11.176	79.248
6.610	15.824	13.818	16.053	78.740

	15.900	13.970	15.443	199.644
1.080	15.824	13.614	17.678	188.976
1.780	19.050	16.916	17.069	171.196
2.820	15.875	13.894	15.850	144.780
3.150	15.900	14.173	13.818	136.398
3.340	17.882	15.951	15.443	131.572
4.020	15.824	14.072	14.021	114.300
4.110	15.900	13.792	16.866	112.014
4.270	17.882	15.850	16.256	107.950
4.520	15.900	14.072	14.630	101.600
4.520	15.824	14.173	13.208	101.600
4.520	15.824	14.173	13.208	101.600
4.640	15.824	13.792	16.256	98.552
4.640	15.824	14.173	13.208	98.552
5.140	17.882	15.545	18.694	85.852
5.140	18.263	16.866	11.176	85.852
5.400	15.824	13.818	16.053	79.248
5.400	15.824	14.427	11.176	79.248
5.420	15.824	13.818	16.053	78.740

	15.900	13.970	15.443	199.644
0.660	15.824	13.614	17.678	188.976
1.360	19.050	16.916	17.069	171.196
2.400	15.875	13.894	15.850	144.780
2.730	15.900	14.173	13.818	136.398
2.920	17.882	15.951	15.443	131.572
3.600	15.824	14.072	14.021	114.300
3.690	15.900	13.792	16.866	112.014
3.850	17.882	15.850	16.256	107.950
4.100	15.900	14.072	14.630	101.600
4.100	15.824	14.173	13.208	101.600
4.100	15.824	14.173	13.208	101.600
4.220	15.824	13.792	16.256	98.552
4.220	15.824	14.173	13.208	98.552
4.720	17.882	15.545	18.694	85.852
4.720	18.263	16.866	11.176	85.852
4.980	15.824	13.818	16.053	79.248
4.980	15.824	14.427	11.176	79.248
5.000	15.824	13.818	16.053	78.740

	15.900	14.046	14.834	186.944
1.160	15.824	13.614	17.678	188.976
1.860	19.050	16.916	17.069	171.196
2.900	15.875	13.894	15.850	144.780
3.230	15.900	14.173	13.818	136.398
3.420	17.882	15.951	15.443	131.572
4.100	15.824	14.072	14.021	114.300
4.190	15.900	13.792	16.866	112.014
4.350	17.882	15.850	16.256	107.950
4.600	15.900	14.072	14.630	101.600
4.600	15.824	14.173	13.208	101.600
4.600	15.824	14.173	13.208	101.600
4.720	15.824	13.792	16.256	98.552
4.720	15.824	14.173	13.208	98.552
5.220	17.882	15.545	18.694	85.852
5.220	18.263	16.866	11.176	85.852
5.480	15.824	13.818	16.053	79.248
5.480	15.824	14.427	11.176	79.248
5.500	15.824	13.818	16.053	78.740

	15.824	14.072	14.021	101.600
4.520	15.824	13.614	17.678	188.976
5.220	19.050	16.916	17.069	171.196
6.260	15.875	13.894	15.850	144.780
6.590	15.900	14.173	13.818	136.398
6.780	17.882	15.951	15.443	131.572
7.460	15.824	14.072	14.021	114.300

7.550	15.900	13.792	16.866	112.014
7.710	17.882	15.850	16.256	107.950
7.960	15.900	14.072	14.630	101.600
7.960	15.824	14.173	13.208	101.600
7.960	15.824	14.173	13.208	101.600
8.080	15.824	13.792	16.256	98.552
8.080	15.824	14.173	13.208	98.552
8.580	17.882	15.545	18.694	85.852
8.580	18.263	16.866	11.176	85.852
8.840	15.824	13.818	16.053	79.248
8.840	15.824	14.427	11.176	79.248
8.860	15.824	13.818	16.053	78.740

	15.824	14.072	14.021	103.632
4.440	15.824	13.614	17.678	188.976
5.140	19.050	16.916	17.069	171.196
6.180	15.875	13.894	15.850	144.780
6.510	15.900	14.173	13.818	136.398
6.700	17.882	15.951	15.443	131.572
7.380	15.824	14.072	14.021	114.300
7.470	15.900	13.792	16.866	112.014
7.630	17.882	15.850	16.256	107.950
7.880	15.900	14.072	14.630	101.600
7.880	15.824	14.173	13.208	101.600
7.880	15.824	14.173	13.208	101.600
8.000	15.824	13.792	16.256	98.552
8.000	15.824	14.173	13.208	98.552
8.500	17.882	15.545	18.694	85.852
8.500	18.263	16.866	11.176	85.852
8.760	15.824	13.818	16.053	79.248
8.760	15.824	14.427	11.176	79.248
8.780	15.824	13.818	16.053	78.740

	15.824	14.072	14.021	103.632
4.440	15.824	13.614	17.678	188.976
5.140	19.050	16.916	17.069	171.196
6.180	15.875	13.894	15.850	144.780
6.510	15.900	14.173	13.818	136.398
6.700	17.882	15.951	15.443	131.572
7.380	15.824	14.072	14.021	114.300
7.470	15.900	13.792	16.866	112.014
7.630	17.882	15.850	16.256	107.950
7.880	15.900	14.072	14.630	101.600
7.880	15.824	14.173	13.208	101.600
7.880	15.824	14.173	13.208	101.600
8.000	15.824	13.792	16.256	98.552
8.000	15.824	14.173	13.208	98.552
8.500	17.882	15.545	18.694	85.852

8.500	18.263	16.866	11.176	85.852
8.760	15.824	13.818	16.053	79.248
8.760	15.824	14.427	11.176	79.248
8.780	15.824	13.818	16.053	78.740

	15.824	14.072	14.021	108.204
4.260	15.824	13.614	17.678	188.976
4.960	19.050	16.916	17.069	171.196
6.000	15.875	13.894	15.850	144.780
6.330	15.900	14.173	13.818	136.398
6.520	17.882	15.951	15.443	131.572
7.200	15.824	14.072	14.021	114.300
7.290	15.900	13.792	16.866	112.014
7.450	17.882	15.850	16.256	107.950
7.700	15.900	14.072	14.630	101.600
7.700	15.824	14.173	13.208	101.600
7.700	15.824	14.173	13.208	101.600
7.820	15.824	13.792	16.256	98.552
7.820	15.824	14.173	13.208	98.552
8.320	17.882	15.545	18.694	85.852
8.320	18.263	16.866	11.176	85.852
8.580	15.824	13.818	16.053	79.248
8.580	15.824	14.427	11.176	79.248
8.600	15.824	13.818	16.053	78.740

	15.900	14.173	13.818	136.398
3.150	15.824	13.614	17.678	188.976
3.850	19.050	16.916	17.069	171.196
4.890	15.875	13.894	15.850	144.780
5.220	15.900	14.173	13.818	136.398
5.410	17.882	15.951	15.443	131.572
6.090	15.824	14.072	14.021	114.300
6.180	15.900	13.792	16.866	112.014
6.340	17.882	15.850	16.256	107.950
6.590	15.900	14.072	14.630	101.600
6.590	15.824	14.173	13.208	101.600
6.590	15.824	14.173	13.208	101.600
6.710	15.824	13.792	16.256	98.552
6.710	15.824	14.173	13.208	98.552
7.210	17.882	15.545	18.694	85.852
7.210	18.263	16.866	11.176	85.852
7.470	15.824	13.818	16.053	79.248
7.470	15.824	14.427	11.176	79.248
7.490	15.824	13.818	16.053	78.740

	15.824	14.427	11.176	79.248
5.400	15.824	13.614	17.678	188.976

6.100	19.050	16.916	17.069	171.196
7.140	15.875	13.894	15.850	144.780
7.470	15.900	14.173	13.818	136.398
7.660	17.882	15.951	15.443	131.572
8.340	15.824	14.072	14.021	114.300
8.430	15.900	13.792	16.866	112.014
8.590	17.882	15.850	16.256	107.950
8.840	15.900	14.072	14.630	101.600
8.840	15.824	14.173	13.208	101.600
8.840	15.824	14.173	13.208	101.600
8.960	15.824	13.792	16.256	98.552
8.960	15.824	14.173	13.208	98.552
9.460	17.882	15.545	18.694	85.852
9.460	18.263	16.866	11.176	85.852
9.720	15.824	13.818	16.053	79.248
9.720	15.824	14.427	11.176	79.248
9.740	15.824	13.818	16.053	78.740

	15.824	14.427	11.176	98.552
4.640	15.824	13.614	17.678	188.976
5.340	19.050	16.916	17.069	171.196
6.380	15.875	13.894	15.850	144.780
6.710	15.900	14.173	13.818	136.398
6.900	17.882	15.951	15.443	131.572
7.580	15.824	14.072	14.021	114.300
7.670	15.900	13.792	16.866	112.014
7.830	17.882	15.850	16.256	107.950
8.080	15.900	14.072	14.630	101.600
8.080	15.824	14.173	13.208	101.600
8.080	15.824	14.173	13.208	101.600
8.200	15.824	13.792	16.256	98.552
8.200	15.824	14.173	13.208	98.552
8.700	17.882	15.545	18.694	85.852
8.700	18.263	16.866	11.176	85.852
8.960	15.824	13.818	16.053	79.248
8.960	15.824	14.427	11.176	79.248
8.980	15.824	13.818	16.053	78.740

	15.900	14.427	11.786	98.298
4.650	15.824	13.614	17.678	188.976
5.350	19.050	16.916	17.069	171.196
6.390	15.875	13.894	15.850	144.780
6.720	15.900	14.173	13.818	136.398
6.910	17.882	15.951	15.443	131.572
7.590	15.824	14.072	14.021	114.300
7.680	15.900	13.792	16.866	112.014
7.840	17.882	15.850	16.256	107.950
8.090	15.900	14.072	14.630	101.600

8.090	15.824	14.173	13.208	101.600
8.090	15.824	14.173	13.208	101.600
8.210	15.824	13.792	16.256	98.552
8.210	15.824	14.173	13.208	98.552
8.710	17.882	15.545	18.694	85.852
8.710	18.263	16.866	11.176	85.852
8.970	15.824	13.818	16.053	79.248
8.970	15.824	14.427	11.176	79.248
8.990	15.824	13.818	16.053	78.740

	17.882	15.545	18.694	85.852
5.140	15.824	13.614	17.678	188.976
5.840	19.050	16.916	17.069	171.196
6.880	15.875	13.894	15.850	144.780
7.210	15.900	14.173	13.818	136.398
7.400	17.882	15.951	15.443	131.572
8.080	15.824	14.072	14.021	114.300
8.170	15.900	13.792	16.866	112.014
8.330	17.882	15.850	16.256	107.950
8.580	15.900	14.072	14.630	101.600
8.580	15.824	14.173	13.208	101.600
8.580	15.824	14.173	13.208	101.600
8.700	15.824	13.792	16.256	98.552
8.700	15.824	14.173	13.208	98.552
9.200	17.882	15.545	18.694	85.852
9.200	18.263	16.866	11.176	85.852
9.460	15.824	13.818	16.053	79.248
9.460	15.824	14.427	11.176	79.248
9.480	15.824	13.818	16.053	78.740

	17.882	15.850	16.256	107.950
4.270	15.824	13.614	17.678	188.976
4.970	19.050	16.916	17.069	171.196
6.010	15.875	13.894	15.850	144.780
6.340	15.900	14.173	13.818	136.398
6.530	17.882	15.951	15.443	131.572
7.210	15.824	14.072	14.021	114.300
7.300	15.900	13.792	16.866	112.014
7.460	17.882	15.850	16.256	107.950
7.710	15.900	14.072	14.630	101.600
7.710	15.824	14.173	13.208	101.600
7.710	15.824	14.173	13.208	101.600
7.830	15.824	13.792	16.256	98.552
7.830	15.824	14.173	13.208	98.552
8.330	17.882	15.545	18.694	85.852
8.330	18.263	16.866	11.176	85.852
8.590	15.824	13.818	16.053	79.248
8.590	15.824	14.427	11.176	79.248

8.610	15.824	13.818	16.053	78.740
	17.882	15.951	15.443	131.572
2.210	15.824	13.106	21.742	217.678
3.340	15.824	13.614	17.678	188.976
5.080	15.875	13.894	15.850	144.780
5.410	15.900	14.173	13.818	136.398
5.600	17.882	15.951	15.443	131.572
6.280	15.824	14.072	14.021	114.300
6.370	15.900	13.792	16.866	112.014
6.530	17.882	15.850	16.256	107.950
6.780	15.900	14.072	14.630	101.600
6.780	15.824	14.173	13.208	101.600
6.780	15.824	14.173	13.208	101.600
6.900	15.824	13.792	16.256	98.552
6.900	15.824	14.173	13.208	98.552
7.400	17.882	15.545	18.694	85.852
7.400	18.263	16.866	11.176	85.852
7.660	15.824	13.818	16.053	79.248
7.660	15.824	14.427	11.176	79.248
7.680	15.824	13.818	16.053	78.740

	15.824	13.106	21.742	217.678
-0.050	15.824	13.614	17.678	188.976
0.650	19.050	16.916	17.069	171.196
1.690	15.875	13.894	15.850	144.780
2.020	15.900	14.173	13.818	136.398
2.210	17.882	15.951	15.443	131.572
2.890	15.824	14.072	14.021	114.300
2.980	15.900	13.792	16.866	112.014
3.140	17.882	15.850	16.256	107.950
3.390	15.900	14.072	14.630	101.600
3.390	15.824	14.173	13.208	101.600
3.390	15.824	14.173	13.208	101.600
3.510	15.824	13.792	16.256	98.552
3.510	15.824	14.173	13.208	98.552
4.010	17.882	15.545	18.694	85.852
4.010	18.263	16.866	11.176	85.852
4.270	15.824	13.818	16.053	79.248
4.270	15.824	14.427	11.176	79.248
4.290	15.824	13.818	16.053	78.740

	15.824	13.106	21.742	223.266
-0.270	15.824	13.614	17.678	188.976
0.430	19.050	16.916	17.069	171.196
1.470	15.875	13.894	15.850	144.780
1.800	15.900	14.173	13.818	136.398

1.990	17.882	15.951	15.443	131.572
2.670	15.824	14.072	14.021	114.300
2.760	15.900	13.792	16.866	112.014
2.920	17.882	15.850	16.256	107.950
3.170	15.900	14.072	14.630	101.600
3.170	15.824	14.173	13.208	101.600
3.170	15.824	14.173	13.208	101.600
3.290	15.824	13.792	16.256	98.552
3.290	15.824	14.173	13.208	98.552
3.790	17.882	15.545	18.694	85.852
3.790	18.263	16.866	11.176	85.852
4.050	15.824	13.818	16.053	79.248
4.050	15.824	14.427	11.176	79.248
4.070	15.824	13.818	16.053	78.740

	15.824	13.106	21.742	232.664
-0.640	15.824	13.614	17.678	188.976
0.060	19.050	16.916	17.069	171.196
1.100	15.875	13.894	15.850	144.780
1.430	15.900	14.173	13.818	136.398
1.620	17.882	15.951	15.443	131.572
2.300	15.824	14.072	14.021	114.300
2.390	15.900	13.792	16.866	112.014
2.550	17.882	15.850	16.256	107.950
2.800	15.900	14.072	14.630	101.600
2.800	15.824	14.173	13.208	101.600
2.800	15.824	14.173	13.208	101.600
2.920	15.824	13.792	16.256	98.552
2.920	15.824	14.173	13.208	98.552
3.420	17.882	15.545	18.694	85.852
3.420	18.263	16.866	11.176	85.852
3.680	15.824	13.818	16.053	79.248
3.680	15.824	14.427	11.176	79.248
3.700	15.824	13.818	16.053	78.740

	15.824	13.106	21.742	232.664
-0.640	15.824	13.614	17.678	188.976
0.060	19.050	16.916	17.069	171.196
1.100	15.875	13.894	15.850	144.780
1.430	15.900	14.173	13.818	136.398
1.620	17.882	15.951	15.443	131.572
2.300	15.824	14.072	14.021	114.300
2.390	15.900	13.792	16.866	112.014
2.550	17.882	15.850	16.256	107.950
2.800	15.900	14.072	14.630	101.600
2.800	15.824	14.173	13.208	101.600
2.800	15.824	14.173	13.208	101.600
2.920	15.824	13.792	16.256	98.552



2.920	15.824	14.173	13.208	98.552
3.420	17.882	15.545	18.694	85.852
3.420	18.263	16.866	11.176	85.852
3.680	15.824	13.818	16.053	79.248
3.680	15.824	14.427	11.176	79.248
3.700	15.824	13.818	16.053	78.740

	15.824	13.792	16.256	245.872
-1.160	15.824	13.614	17.678	188.976
-0.460	19.050	16.916	17.069	171.196
0.580	15.875	13.894	15.850	144.780
0.910	15.900	14.173	13.818	136.398
1.100	17.882	15.951	15.443	131.572
1.780	15.824	14.072	14.021	114.300
1.870	15.900	13.792	16.866	112.014
2.030	17.882	15.850	16.256	107.950
2.280	15.900	14.072	14.630	101.600
2.280	15.824	14.173	13.208	101.600
2.280	15.824	14.173	13.208	101.600
2.400	15.824	13.792	16.256	98.552
2.400	15.824	14.173	13.208	98.552
2.900	17.882	15.545	18.694	85.852
2.900	18.263	16.866	11.176	85.852
3.160	15.824	13.818	16.053	79.248
3.160	15.824	14.427	11.176	79.248
3.180	15.824	13.818	16.053	78.740

	15.875	13.894	15.850	223.520
-0.280	15.824	13.614	17.678	188.976
0.420	19.050	16.916	17.069	171.196
1.460	15.875	13.894	15.850	144.780
1.790	15.900	14.173	13.818	136.398
1.980	17.882	15.951	15.443	131.572
2.660	15.824	14.072	14.021	114.300
2.750	15.900	13.792	16.866	112.014
2.910	17.882	15.850	16.256	107.950
3.160	15.900	14.072	14.630	101.600
3.160	15.824	14.173	13.208	101.600
3.160	15.824	14.173	13.208	101.600
3.280	15.824	13.792	16.256	98.552
3.280	15.824	14.173	13.208	98.552
3.780	17.882	15.545	18.694	85.852
3.780	18.263	16.866	11.176	85.852
4.040	15.824	13.818	16.053	79.248
4.040	15.824	14.427	11.176	79.248
4.060	15.824	13.818	16.053	78.740

	15.824	13.995	14.630	223.266
-0.270	15.824	13.614	17.678	188.976
0.430	19.050	16.916	17.069	171.196
1.470	15.875	13.894	15.850	144.780
1.800	15.900	14.173	13.818	136.398
1.990	17.882	15.951	15.443	131.572
2.670	15.824	14.072	14.021	114.300
2.760	15.900	13.792	16.866	112.014
2.920	17.882	15.850	16.256	107.950
3.170	15.900	14.072	14.630	101.600
3.170	15.824	14.173	13.208	101.600
3.170	15.824	14.173	13.208	101.600
3.290	15.824	13.792	16.256	98.552
3.290	15.824	14.173	13.208	98.552
3.790	17.882	15.545	18.694	85.852
3.790	18.263	16.866	11.176	85.852
4.050	15.824	13.818	16.053	79.248
4.050	15.824	14.427	11.176	79.248
4.070	15.824	13.818	16.053	78.740

	15.824	14.072	14.021	265.684
-1.940	15.824	13.614	17.678	188.976
-1.240	19.050	16.916	17.069	171.196
-0.200	15.875	13.894	15.850	144.780
0.130	15.900	14.173	13.818	136.398
0.320	17.882	15.951	15.443	131.572
1.000	15.824	14.072	14.021	114.300
1.090	15.900	13.792	16.866	112.014
1.250	17.882	15.850	16.256	107.950
1.500	15.900	14.072	14.630	101.600
1.500	15.824	14.173	13.208	101.600
1.500	15.824	14.173	13.208	101.600
1.620	15.824	13.792	16.256	98.552
1.620	15.824	14.173	13.208	98.552
2.120	17.882	15.545	18.694	85.852
2.120	18.263	16.866	11.176	85.852
2.380	15.824	13.818	16.053	79.248
2.380	15.824	14.427	11.176	79.248
2.400	15.824	13.818	16.053	78.740

	15.824	14.173	13.208	255.016
-1.520	15.824	13.614	17.678	188.976
-0.820	19.050	16.916	17.069	171.196
0.220	15.875	13.894	15.850	144.780
0.550	15.900	14.173	13.818	136.398
0.740	17.882	15.951	15.443	131.572
1.420	15.824	14.072	14.021	114.300
1.510	15.900	13.792	16.866	112.014

1.670	17.882	15.850	16.256	107.950
1.920	15.900	14.072	14.630	101.600
1.920	15.824	14.173	13.208	101.600
1.920	15.824	14.173	13.208	101.600
2.040	15.824	13.792	16.256	98.552
2.040	15.824	14.173	13.208	98.552
2.540	17.882	15.545	18.694	85.852
2.540	18.263	16.866	11.176	85.852
2.800	15.824	13.818	16.053	79.248
2.800	15.824	14.427	11.176	79.248
2.820	15.824	13.818	16.053	78.740

	18.974	16.916	16.459	219.964
-0.140	15.824	13.614	17.678	188.976
0.560	19.050	16.916	17.069	171.196
1.600	15.875	13.894	15.850	144.780
1.930	15.900	14.173	13.818	136.398
2.120	17.882	15.951	15.443	131.572
2.800	15.824	14.072	14.021	114.300
2.890	15.900	13.792	16.866	112.014
3.050	17.882	15.850	16.256	107.950
3.300	15.900	14.072	14.630	101.600
3.300	15.824	14.173	13.208	101.600
3.300	15.824	14.173	13.208	101.600
3.420	15.824	13.792	16.256	98.552
3.420	15.824	14.173	13.208	98.552
3.920	17.882	15.545	18.694	85.852
3.920	18.263	16.866	11.176	85.852
4.180	15.824	13.818	16.053	79.248
4.180	15.824	14.427	11.176	79.248
4.200	15.824	13.818	16.053	78.740

	15.824	13.614	17.678	188.976
1.080	15.824	13.614	17.678	188.976
1.780	19.050	16.916	17.069	171.196
2.820	15.875	13.894	15.850	144.780
3.150	15.900	14.173	13.818	136.398
3.340	17.882	15.951	15.443	131.572
4.020	15.824	14.072	14.021	114.300
4.110	15.900	13.792	16.866	112.014
4.270	17.882	15.850	16.256	107.950
4.520	15.900	14.072	14.630	101.600
4.520	15.824	14.173	13.208	101.600
4.520	15.824	14.173	13.208	101.600
4.640	15.824	13.792	16.256	98.552
4.640	15.824	14.173	13.208	98.552
5.140	17.882	15.545	18.694	85.852
5.140	18.263	16.866	11.176	85.852

5.400	15.824	13.818	16.053	79.248
5.400	15.824	14.427	11.176	79.248
5.420	15.824	13.818	16.053	78.740

	Part #	A	Thread inches	B inches	C inches	D	E inches	F
Tie Rod	ES150L	.750x16	LH	0.704	0.612	0.736	.562x18	3.500
Tie Rod	ES150R	.750x16	RH	0.704	0.612	0.736	.562x18	3.500
Tie Rod	ES375L	.750x16	RH	0.773	0.664	0.872	.625x18	4.380
Tie Rod	ES375R	.750x16	LH	0.773	0.664	0.872	.625x18	4.380
Tie Rod	ES394R	.750x18	RH	0.627	0.543	0.672	.500x20	3.120
Tie Rod	ES383R	.750x18	RH	0.623	0.558	0.520	.500x20	4.000
Tie Rod	ES424L	.750x18	LH	0.704	0.628	0.608	.562x18	7.440
Tie Rod	ES424R	.750x18	RH	0.704	0.628	0.608	.562x18	7.440
Tie Rod	ES408R	.750x18	RH	0.704	0.633	0.568	.562x18	5.050

B	C	D	F
	mm	mm	mm
	17.882	15.545	18.694
	17.882	15.545	18.694
	19.634	16.866	22.149
	19.634	16.866	22.149
	15.926	13.792	17.069
	15.824	14.173	13.208
	17.882	15.951	15.443
	17.882	15.951	15.443
	17.882	16.078	14.427
			88.900
			88.900
			111.252
			111.252
			79.248
			101.600
			188.976
			188.976
			128.270

	Part #	A	Thread inches	B inches	C inches	D	E inches	F
Tie Rod	ES394R	.750x18	RH	0.627	0.543	0.672	.500x20	3.120
Tie Rod	ES383R	.750x18	RH	0.623	0.558	0.520	.500x20	4.000
Tie Rod	ES424L	.750x18	LH	0.704	0.628	0.608	.562x18	7.440
Tie Rod	ES424R	.750x18	RH	0.704	0.628	0.608	.562x18	7.440
Tie Rod	ES408R	.750x18	RH	0.704	0.633	0.568	.562x18	5.050
Adjuster	ES 6388	.750x18	750x1B	4.500		4.500	114.300	4.500
	DS141IS	.750x18	.750x18	51.790		51.790	1315.466	51.790
Tie Rod	ES424L	.750x18	LH	0.704	0.628	0.608	.562x18	7.440
Tie Rod	ES394R	.750x18	RH	0.627	0.543	0.672	.500x20	3.120
Adjuster	ES 6388	.750x18	750x1B	4.500		4.500	114.300	4.500
Tie Rod	ES424L	.750x18	LH	0.704	0.628	0.608	.562x18	7.440
Tie Rod	ES383R	.750x18	RH	0.623	0.558	0.520	.500x20	4.000
Adjuster	ES 6388	.750x18	750x1B	4.500		4.500	114.300	4.500
Tie Rod	ES424L	.750x18	LH	0.704	0.628	0.608	.562x18	7.440
Tie Rod	ES424R	.750x18	RH	0.704	0.628	0.608	.562x18	7.440
Adjuster	ES 6388	.750x18	750x1B	4.500		4.500	114.300	4.500
Tie Rod	ES424L	.750x18	LH	0.704	0.628	0.608	.562x18	7.440
Tie Rod	ES408R	.750x18	RH	0.704	0.633	0.568	.562x18	5.050
Adjuster	ES 6388	.750x18	750x1B	4.500		4.500	114.300	4.500

		B	C	D	F
			mm	mm	mm
			15.926	13.792	17.069
			15.824	14.173	13.208
			17.882	15.951	15.443
			17.882	15.951	15.443
			17.882	16.078	14.427
			17.882	15.951	15.443
Calc'd	5.400		15.926	13.792	17.069
Actual	4.500				
			17.882	15.951	15.443
Calc'd	4.520		15.824	14.173	13.208
Actual	4.500				
			17.882	15.951	15.443
Calc'd	1.080		17.882	15.951	15.443
Actual	4.500				
			17.882	15.951	15.443
Calc'd	3.470		17.882	16.078	14.427
Actual	4.500				



	Part #	A	Thread inches	B inches	C inches	D	E inches	F
Tie Rod	ES398R	.812x18	RH	0.681	0.615	0.528	.500x20	4.920
Tie Rod	ES26L	.812x18	LH	0.701	0.612	0.712	.562x18	3.380
Tie Rod	ES26R	.812x18	RH	0.704	0.612	0.736	.562x18	3.380
Tie Rod	ES26L	.812x18	LH	0.701	0.612	0.712	.562x18	3.380
Tie Rod	ES398R	.812x18	RH	0.681	0.615	0.528	.500x20	4.920

	B	C	D		F	
		mm	mm	mm		mm
			17.297	15.621	13.411	124.968
			17.805	15.545	18.085	85.852
Calc'd	9.200		17.882	15.545	18.694	85.852
Actual	5.500					
			17.805	15.545	18.085	85.852
Calc'd	7.660		17.297	15.621	13.411	124.968
Actual	6.500					

	Part #	A	Thread inches	B inches	C inches	D	E inches	F
Tie Rod	ES437L	.875x18	LH	0.705	0.594	0.888	M14x1.50	3.950
Tie Rod	ES380L	.875x18	LH	0.704	0.612	0.736	.562x18	5.560
Tie Rod	ES38CR	.875x18	RH	0.704	0.612	0.736	.562x18	5.560
Tie Rod	ES454L	.875x18	LH	0.702	0.613	0.712	.562x18	4.000
Tie Rod	ES2065L	.875x18	LH	0.702	0.613	0.712	.562x18	4.880
Tie Rod	ES413R	.875x18	RH	0.702	0.613	0.712	.562x18	5.050
Tie Rod	ES414R	.875x18	RH	0.702	0.613	0.712	.562x18	5.060
Tie Rod	ES362R	.875x18	RH	0.702	0.613	0.712	.562x18	6.050
Tie Rod	ES2018L	.875x18	LH	0.702	0.613	0.712	.562x18	7.800
Tie Rod	ES2063L	.875x18	LH	0.776	0.662	0.912	.563x18	5.000
Tie Rod	ES2147R	.875x18	RH	0.776	0.662	0.912	.625x18	5.030
Tie Rod	ES2082R	.875x18	RH	0.773	0.664	0.872	.625x18	4.440
Tie Rod	ES2083L	.875x18	LH	0.773	0.664	0.872	.625x18	4.440
Tie Rod	ES452L	.875x18	LH	0.765	0.675	0.720	.562x18	3.380
Tie Rod	ES453L	.875x18	LH	0.773	0.675	0.784	.562x18	3.380
Tie Rod	ES2010R	.875x18	RH	0.776	0.675	0.808	.625x18	3.380
Tie Rod	ES20I0L	.875x18	LH	0.776	0.675	0.808	.625x18	3.380
Tie Rod	ES449L	.875x18	LH	0.776	0.675	0.808	.625x18	4.380
Tie Rod	E82233L	.875x18	LH	0.776	0.675	0.808	.625x18	9.600
Tie Rod	ES2234R	.875x18	RH	0.777	0.675	0.816	.625x18	4.810
Adjuster	ES 3628	.875x18	.875x18	4.500		4.500	114.300	
Adjuster	E531248	.875x18	.875x18	4.500		4.500	114.300	
Tie Rod	ES437L	.875x18	LH	0.705	0.594	0.888	M14x1.50	3.950
Tie Rod	ES38CR	.875x18	RH	0.704	0.612	0.736	.562x18	5.560
Adjuster	ES 3628	.875x18	.875x18	4.500		4.500	114.300	
Adjuster	E531248	.875x18	.875x18	4.500		4.500	114.300	
Tie Rod	ES437L	.875x19	LH	1.705	1.594	1.888	M14x1.51	4.950
Tie Rod	ES413R	.875x18	RH	0.702	0.613	0.712	.562x18	5.050
Adjuster	ES 3628	.875x18	.875x18	4.500		4.500	114.300	
Adjuster	E531248	.875x18	.875x18	4.500		4.500	114.300	
Tie Rod	ES437L	.875x20	LH	2.705	2.594	2.888	M14x1.52	5.950
Tie Rod	ES414R	.875x18	RH	0.702	0.613	0.712	.562x18	5.060
Adjuster	ES 3628	.875x18	.875x18	4.500		4.500	114.300	
Adjuster	E531248	.875x18	.875x18	4.500		4.500	114.300	
Tie Rod	ES437L	.875x21	LH	3.705	3.594	3.888	M14x1.53	6.950
Tie Rod	ES362R	.875x18	RH	0.702	0.613	0.712	.562x18	6.050
Adjuster	ES 3628	.875x18	.875x18	4.500		4.500	114.300	
Adjuster	E531248	.875x18	.875x18	4.500		4.500	114.300	
Tie Rod	ES437L	.875x22	LH	4.705	4.594	4.888	M14x1.54	7.950
Tie Rod	ES2147R	.875x18	RH	0.776	0.662	0.912	.625x18	5.030
Adjuster	ES 3628	.875x18	.875x18	4.500		4.500	114.300	
Adjuster	E531248	.875x18	.875x18	4.500		4.500	114.300	

Tie Rod	ES437L	.875x23	LH	5.705	5.594	5.888	M14x1.55	8.950
Tie Rod	ES2082R	.875x18	RH	0.773	0.664	0.872	.625x18	4.440
Adjuster	ES 3628	.875x18	.875x18	4.500		4.500	114.300	
Adjuster	E531248	.875x18	.875x18	4.500		4.500	114.300	
Tie Rod	ES437L	.875x24	LH	6.705	6.594	6.888	M14x1.56	9.950
Tie Rod	ES2010R	.875x18	RH	0.776	0.675	0.808	.625x18	3.380
Adjuster	ES 3628	.875x18	.875x18	4.500		4.500	114.300	
Adjuster	E531248	.875x18	.875x18	4.500		4.500	114.300	
Tie Rod	ES437L	.875x25	LH	7.705	7.594	7.888	M14x1.57	10.950
Tie Rod	ES2234R	.875x18	RH	0.777	0.675	0.816	.625x18	4.810
Adjuster	ES 3628	.875x18	.875x18	4.500		4.500	114.300	
Adjuster	E531248	.875x18	.875x18	4.500		4.500	114.300	
Tie Rod	ES380L	.875x18	LH	0.704	0.612	0.736	.562x18	5.560
Tie Rod	ES38CR	.875x18	RH	0.704	0.612	0.736	.562x18	5.560
Adjuster	ES 3628	.875x18	.875x18	4.500		4.500	114.300	
Adjuster	E531248	.875x18	.875x18	4.500		4.500	114.300	
Tie Rod	ES380L	.875x19	LH	1.704	1.612	1.736	.562x19	6.560
Tie Rod	ES413R	.875x18	RH	0.702	0.613	0.712	.562x18	5.050
Adjuster	ES 3628	.875x18	.875x18	4.500		4.500	114.300	
Adjuster	E531248	.875x18	.875x18	4.500		4.500	114.300	
Tie Rod	ES380L	.875x20	LH	2.704	2.612	2.736	.562x20	7.560
Tie Rod	ES414R	.875x18	RH	0.702	0.613	0.712	.562x18	5.060
Adjuster	ES 3628	.875x18	.875x18	4.500		4.500	114.300	
Adjuster	E531248	.875x18	.875x18	4.500		4.500	114.300	
Tie Rod	ES380L	.875x21	LH	3.704	3.612	3.736	.562x21	8.560
Tie Rod	ES362R	.875x18	RH	0.702	0.613	0.712	.562x18	6.050
Adjuster	ES 3628	.875x18	.875x18	4.500		4.500	114.300	
Adjuster	E531248	.875x18	.875x18	4.500		4.500	114.300	
Tie Rod	ES380L	.875x22	LH	4.704	4.612	4.736	.562x22	9.560
Tie Rod	ES2147R	.875x18	RH	0.776	0.662	0.912	.625x18	5.030
Adjuster	ES 3628	.875x18	.875x18	4.500		4.500	114.300	
Adjuster	E531248	.875x18	.875x18	4.500		4.500	114.300	
Tie Rod	ES380L	.875x23	LH	5.704	5.612	5.736	.562x23	10.560
Tie Rod	ES2082R	.875x18	RH	0.773	0.664	0.872	.625x18	4.440
Adjuster	ES 3628	.875x18	.875x18	4.500		4.500	114.300	
Adjuster	E531248	.875x18	.875x18	4.500		4.500	114.300	
Tie Rod	ES380L	.875x24	LH	6.704	6.612	6.736	.562x24	11.560
Tie Rod	ES2010R	.875x18	RH	0.776	0.675	0.808	.625x18	3.380
Adjuster	ES 3628	.875x18	.875x18	4.500		4.500	114.300	
Adjuster	E531248	.875x18	.875x18	4.500		4.500	114.300	

Tie Rod	ES380L	.875x25	LH	7.704	7.612	7.736	.562x25	12.560
Tie Rod	ES2234R	.875x18	RH	0.777	0.675	0.816	.625x18	4.810
Adjuster	ES 3628	.875x18	.875x18	4.500		4.500	114.300	
Adjuster	E531248	.875x18	.875x18	4.500		4.500	114.300	
Tie Rod	ES454L	.875x18	LH	0.702	0.613	0.712	.562x18	4.000
Tie Rod	ES38CR	.875x18	RH	0.704	0.612	0.736	.562x18	5.560
Adjuster	ES 3628	.875x18	.875x18	4.500		4.500	114.300	
Adjuster	E531248	.875x18	.875x18	4.500		4.500	114.300	
Tie Rod	ES454L	.875x19	LH	1.702	1.613	1.712	.562x19	5.000
Tie Rod	ES413R	.875x18	RH	0.702	0.613	0.712	.562x18	5.050
Adjuster	ES 3628	.875x18	.875x18	4.500		4.500	114.300	
Adjuster	E531248	.875x18	.875x18	4.500		4.500	114.300	
Tie Rod	ES454L	.875x20	LH	2.702	2.613	2.712	.562x20	6.000
Tie Rod	ES414R	.875x18	RH	0.702	0.613	0.712	.562x18	5.060
Adjuster	ES 3628	.875x18	.875x18	4.500		4.500	114.300	
Adjuster	E531248	.875x18	.875x18	4.500		4.500	114.300	
Tie Rod	ES454L	.875x21	LH	3.702	3.613	3.712	.562x21	7.000
Tie Rod	ES362R	.875x18	RH	0.702	0.613	0.712	.562x18	6.050
Adjuster	ES 3628	.875x18	.875x18	4.500		4.500	114.300	
Adjuster	E531248	.875x18	.875x18	4.500		4.500	114.300	
Tie Rod	ES454L	.875x22	LH	4.702	4.613	4.712	.562x22	8.000
Tie Rod	ES2147R	.875x18	RH	0.776	0.662	0.912	.625x18	5.030
Adjuster	ES 3628	.875x18	.875x18	4.500		4.500	114.300	
Adjuster	E531248	.875x18	.875x18	4.500		4.500	114.300	
Tie Rod	ES454L	.875x23	LH	5.702	5.613	5.712	.562x23	9.000
Tie Rod	ES2082R	.875x18	RH	0.773	0.664	0.872	.625x18	4.440
Adjuster	ES 3628	.875x18	.875x18	4.500		4.500	114.300	
Adjuster	E531248	.875x18	.875x18	4.500		4.500	114.300	
Tie Rod	ES454L	.875x24	LH	6.702	6.613	6.712	.562x24	10.000
Tie Rod	ES2010R	.875x18	RH	0.776	0.675	0.808	.625x18	3.380
Adjuster	ES 3628	.875x18	.875x18	4.500		4.500	114.300	
Adjuster	E531248	.875x18	.875x18	4.500		4.500	114.300	
Tie Rod	ES454L	.875x25	LH	7.702	7.613	7.712	.562x25	11.000
Tie Rod	ES2234R	.875x18	RH	0.777	0.675	0.816	.625x18	4.810
Adjuster	ES 3628	.875x18	.875x18	4.500		4.500	114.300	
Adjuster	E531248	.875x18	.875x18	4.500		4.500	114.300	
Tie Rod	ES2065L	.875x18	LH	0.702	0.613	0.712	.562x18	4.880
Tie Rod	ES38CR	.875x18	RH	0.704	0.612	0.736	.562x18	5.560
Adjuster	ES 3628	.875x18	.875x18	4.500		4.500	114.300	

Adjuster	E531248	.875x18	.875x18	4.500		4.500	114.300	
Tie Rod	ES2065L	.875x19	LH	1.702	1.613	1.712	.562x19	5.880
Tie Rod	ES413R	.875x18	RH	0.702	0.613	0.712	.562x18	5.050
Adjuster	ES 3628	.875x18	.875x18	4.500		4.500	114.300	
Adjuster	E531248	.875x18	.875x18	4.500		4.500	114.300	
Tie Rod	ES2065L	.875x20	LH	2.702	2.613	2.712	.562x20	6.880
Tie Rod	ES414R	.875x18	RH	0.702	0.613	0.712	.562x18	5.060
Adjuster	ES 3628	.875x18	.875x18	4.500		4.500	114.300	
Adjuster	E531248	.875x18	.875x18	4.500		4.500	114.300	
Tie Rod	ES2065L	.875x21	LH	3.702	3.613	3.712	.562x21	7.880
Tie Rod	ES362R	.875x18	RH	0.702	0.613	0.712	.562x18	6.050
Adjuster	ES 3628	.875x18	.875x18	4.500		4.500	114.300	
Adjuster	E531248	.875x18	.875x18	4.500		4.500	114.300	
Tie Rod	ES2065L	.875x22	LH	4.702	4.613	4.712	.562x22	8.880
Tie Rod	ES2147R	.875x18	RH	0.776	0.662	0.912	.625x18	5.030
Adjuster	ES 3628	.875x18	.875x18	4.500		4.500	114.300	
Adjuster	E531248	.875x18	.875x18	4.500		4.500	114.300	
Tie Rod	ES2065L	.875x23	LH	5.702	5.613	5.712	.562x23	9.880
Tie Rod	ES2082R	.875x18	RH	0.773	0.664	0.872	.625x18	4.440
Adjuster	ES 3628	.875x18	.875x18	4.500		4.500	114.300	
Adjuster	E531248	.875x18	.875x18	4.500		4.500	114.300	
Tie Rod	ES2065L	.875x24	LH	6.702	6.613	6.712	.562x24	10.880
Tie Rod	ES2010R	.875x18	RH	0.776	0.675	0.808	.625x18	3.380
Adjuster	ES 3628	.875x18	.875x18	4.500		4.500	114.300	
Adjuster	E531248	.875x18	.875x18	4.500		4.500	114.300	
Tie Rod	ES2065L	.875x25	LH	7.702	7.613	7.712	.562x25	11.880
Tie Rod	ES2234R	.875x18	RH	0.777	0.675	0.816	.625x18	4.810
Adjuster	ES 3628	.875x18	.875x18	4.500		4.500	114.300	
Adjuster	E531248	.875x18	.875x18	4.500		4.500	114.300	
Tie Rod	ES2018L	.875x19	LH	1.702	1.613	1.712	.562x19	8.800
Tie Rod	ES38CR	.875x18	RH	0.704	0.612	0.736	.562x18	5.560
Adjuster	ES 3628	.875x18	.875x18	4.500		4.500	114.300	
Adjuster	E531248	.875x18	.875x18	4.500		4.500	114.300	
Tie Rod	ES2018L	.875x20	LH	2.702	2.613	2.712	.562x20	9.800
Tie Rod	ES413R	.875x18	RH	0.702	0.613	0.712	.562x18	5.050
Adjuster	ES 3628	.875x18	.875x18	4.500		4.500	114.300	
Adjuster	E531248	.875x18	.875x18	4.500		4.500	114.300	
Tie Rod	ES2018L	.875x21	LH	3.702	3.613	3.712	.562x21	10.800
Tie Rod	ES414R	.875x18	RH	0.702	0.613	0.712	.562x18	5.060
Adjuster	ES 3628	.875x18	.875x18	4.500		4.500	114.300	

Adjuster	E531248	.875x18	.875x18	4.500		4.500	114.300	
Tie Rod	ES2018L	.875x22	LH	4.702	4.613	4.712	.562x22	11.800
Tie Rod	ES362R	.875x18	RH	0.702	0.613	0.712	.562x18	6.050
Adjuster	ES 3628	.875x18	.875x18	4.500		4.500	114.300	
Adjuster	E531248	.875x18	.875x18	4.500		4.500	114.300	
Tie Rod	ES2018L	.875x23	LH	5.702	5.613	5.712	.562x23	12.800
Tie Rod	ES2147R	.875x18	RH	0.776	0.662	0.912	.625x18	5.030
Adjuster	ES 3628	.875x18	.875x18	4.500		4.500	114.300	
Adjuster	E531248	.875x18	.875x18	4.500		4.500	114.300	
Tie Rod	ES2018L	.875x24	LH	6.702	6.613	6.712	.562x24	13.800
Tie Rod	ES2082R	.875x18	RH	0.773	0.664	0.872	.625x18	4.440
Adjuster	ES 3628	.875x18	.875x18	4.500		4.500	114.300	
Adjuster	E531248	.875x18	.875x18	4.500		4.500	114.300	
Tie Rod	ES2018L	.875x25	LH	7.702	7.613	7.712	.562x25	14.800
Tie Rod	ES2010R	.875x18	RH	0.776	0.675	0.808	.625x18	3.380
Adjuster	ES 3628	.875x18	.875x18	4.500		4.500	114.300	
Adjuster	E531248	.875x18	.875x18	4.500		4.500	114.300	
Tie Rod	ES2018L	.875x26	LH	8.702	8.613	8.712	.562x26	15.800
Tie Rod	ES2234R	.875x18	RH	0.777	0.675	0.816	.625x18	4.810
Adjuster	ES 3628	.875x18	.875x18	4.500		4.500	114.300	
Adjuster	E531248	.875x18	.875x18	4.500		4.500	114.300	
Tie Rod	ES2063L	.875x18	LH	0.776	0.662	0.912	.563x18	5.000
Tie Rod	ES38CR	.875x18	RH	0.704	0.612	0.736	.562x18	5.560
Adjuster	ES 3628	.875x18	.875x18	4.500		4.500	114.300	
Adjuster	E531248	.875x18	.875x18	4.500		4.500	114.300	
Tie Rod	ES2063L	.875x19	LH	1.776	1.662	1.912	.563x19	6.000
Tie Rod	ES413R	.875x18	RH	0.702	0.613	0.712	.562x18	5.050
Adjuster	ES 3628	.875x18	.875x18	4.500		4.500	114.300	
Adjuster	E531248	.875x18	.875x18	4.500		4.500	114.300	
Tie Rod	ES2063L	.875x20	LH	2.776	2.662	2.912	.563x20	7.000
Tie Rod	ES414R	.875x18	RH	0.702	0.613	0.712	.562x18	5.060
Adjuster	ES 3628	.875x18	.875x18	4.500		4.500	114.300	
Adjuster	E531248	.875x18	.875x18	4.500		4.500	114.300	
Tie Rod	ES2063L	.875x21	LH	3.776	3.662	3.912	.563x21	8.000
Tie Rod	ES362R	.875x18	RH	0.702	0.613	0.712	.562x18	6.050
Adjuster	ES 3628	.875x18	.875x18	4.500		4.500	114.300	
Adjuster	E531248	.875x18	.875x18	4.500		4.500	114.300	
Tie Rod	ES2063L	.875x22	LH	4.776	4.662	4.912	.563x22	9.000
Tie Rod	ES2147R	.875x18	RH	0.776	0.662	0.912	.625x18	5.030
Adjuster	ES 3628	.875x18	.875x18	4.500		4.500	114.300	

Adjuster	E531248	.875x18	.875x18	4.500		4.500	114.300	
Tie Rod	ES2063L	.875x23	LH	5.776	5.662	5.912	.563x23	10.000
Tie Rod	ES2082R	.875x18	RH	0.773	0.664	0.872	.625x18	4.440
Adjuster	ES 3628	.875x18	.875x18	4.500		4.500	114.300	
Adjuster	E531248	.875x18	.875x18	4.500		4.500	114.300	
Tie Rod	ES2063L	.875x24	LH	6.776	6.662	6.912	.563x24	11.000
Tie Rod	ES2010R	.875x18	RH	0.776	0.675	0.808	.625x18	3.380
Adjuster	ES 3628	.875x18	.875x18	4.500		4.500	114.300	
Adjuster	E531248	.875x18	.875x18	4.500		4.500	114.300	
Tie Rod	ES2063L	.875x25	LH	7.776	7.662	7.912	.563x25	12.000
Tie Rod	ES2234R	.875x18	RH	0.777	0.675	0.816	.625x18	4.810
Adjuster	ES 3628	.875x18	.875x18	4.500		4.500	114.300	
Adjuster	E531248	.875x18	.875x18	4.500		4.500	114.300	
Tie Rod	ES2083L	.875x18	LH	0.773	0.664	0.872	.625x18	4.440
Tie Rod	ES38CR	.875x18	RH	0.704	0.612	0.736	.562x18	5.560
Adjuster	ES 3628	.875x18	.875x18	4.500		4.500	114.300	
Adjuster	E531248	.875x18	.875x18	4.500		4.500	114.300	
Tie Rod	ES2083L	.875x19	LH	1.773	1.664	1.872	.625x19	5.440
Tie Rod	ES413R	.875x18	RH	0.702	0.613	0.712	.562x18	5.050
Adjuster	ES 3628	.875x18	.875x18	4.500		4.500	114.300	
Adjuster	E531248	.875x18	.875x18	4.500		4.500	114.300	
Tie Rod	ES2083L	.875x20	LH	2.773	2.664	2.872	.625x20	6.440
Tie Rod	ES414R	.875x18	RH	0.702	0.613	0.712	.562x18	5.060
Adjuster	ES 3628	.875x18	.875x18	4.500		4.500	114.300	
Adjuster	E531248	.875x18	.875x18	4.500		4.500	114.300	
Tie Rod	ES2083L	.875x21	LH	3.773	3.664	3.872	.625x21	7.440
Tie Rod	ES362R	.875x18	RH	0.702	0.613	0.712	.562x18	6.050
Adjuster	ES 3628	.875x18	.875x18	4.500		4.500	114.300	
Adjuster	E531248	.875x18	.875x18	4.500		4.500	114.300	
Tie Rod	ES2083L	.875x22	LH	4.773	4.664	4.872	.625x22	8.440
Tie Rod	ES2147R	.875x18	RH	0.776	0.662	0.912	.625x18	5.030
Adjuster	ES 3628	.875x18	.875x18	4.500		4.500	114.300	
Adjuster	E531248	.875x18	.875x18	4.500		4.500	114.300	
Tie Rod	ES2083L	.875x23	LH	5.773	5.664	5.872	.625x23	9.440
Tie Rod	ES2082R	.875x18	RH	0.773	0.664	0.872	.625x18	4.440
Adjuster	ES 3628	.875x18	.875x18	4.500		4.500	114.300	
Adjuster	E531248	.875x18	.875x18	4.500		4.500	114.300	
Tie Rod	ES2083L	.875x24	LH	6.773	6.664	6.872	.625x24	10.440
Tie Rod	ES2010R	.875x18	RH	0.776	0.675	0.808	.625x18	3.380
Adjuster	ES 3628	.875x18	.875x18	4.500		4.500	114.300	



Adjuster	E531248	.875x18	.875x18	4.500		4.500	114.300	
Tie Rod	ES2083L	.875x25	LH	7.773	7.664	7.872	.625x25	11.440
Tie Rod	ES2234R	.875x18	RH	0.777	0.675	0.816	.625x18	4.810
Adjuster	ES 3628	.875x18	.875x18	4.500		4.500	114.300	
Adjuster	E531248	.875x18	.875x18	4.500		4.500	114.300	
Tie Rod	ES452L	.875x18	LH	0.765	0.675	0.720	.562x18	3.380
Tie Rod	ES38CR	.875x18	RH	0.704	0.612	0.736	.562x18	5.560
Adjuster	ES 3628	.875x18	.875x18	4.500		4.500	114.300	
Adjuster	E531248	.875x18	.875x18	4.500		4.500	114.300	
Tie Rod	ES452L	.875x19	LH	1.765	1.675	1.720	.562x19	4.380
Tie Rod	ES413R	.875x18	RH	0.702	0.613	0.712	.562x18	5.050
Adjuster	ES 3628	.875x18	.875x18	4.500		4.500	114.300	
Adjuster	E531248	.875x18	.875x18	4.500		4.500	114.300	
Tie Rod	ES452L	.875x20	LH	2.765	2.675	2.720	.562x20	5.380
Tie Rod	ES414R	.875x18	RH	0.702	0.613	0.712	.562x18	5.060
Adjuster	ES 3628	.875x18	.875x18	4.500		4.500	114.300	
Adjuster	E531248	.875x18	.875x18	4.500		4.500	114.300	
Tie Rod	ES452L	.875x21	LH	3.765	3.675	3.720	.562x21	6.380
Tie Rod	ES362R	.875x18	RH	0.702	0.613	0.712	.562x18	6.050
Adjuster	ES 3628	.875x18	.875x18	4.500		4.500	114.300	
Adjuster	E531248	.875x18	.875x18	4.500		4.500	114.300	
Tie Rod	ES452L	.875x22	LH	4.765	4.675	4.720	.562x22	7.380
Tie Rod	ES2147R	.875x18	RH	0.776	0.662	0.912	.625x18	5.030
Adjuster	ES 3628	.875x18	.875x18	4.500		4.500	114.300	
Adjuster	E531248	.875x18	.875x18	4.500		4.500	114.300	
Tie Rod	ES452L	.875x23	LH	5.765	5.675	5.720	.562x23	8.380
Tie Rod	ES2082R	.875x18	RH	0.773	0.664	0.872	.625x18	4.440
Adjuster	ES 3628	.875x18	.875x18	4.500		4.500	114.300	
Adjuster	E531248	.875x18	.875x18	4.500		4.500	114.300	
Tie Rod	ES452L	.875x24	LH	6.765	6.675	6.720	.562x24	9.380
Tie Rod	ES2010R	.875x18	RH	0.776	0.675	0.808	.625x18	3.380
Adjuster	ES 3628	.875x18	.875x18	4.500		4.500	114.300	
Adjuster	E531248	.875x18	.875x18	4.500		4.500	114.300	
Tie Rod	ES452L	.875x25	LH	7.765	7.675	7.720	.562x25	10.380
Tie Rod	ES2234R	.875x18	RH	0.777	0.675	0.816	.625x18	4.810
Adjuster	ES 3628	.875x18	.875x18	4.500		4.500	114.300	
Adjuster	E531248	.875x18	.875x18	4.500		4.500	114.300	
Tie Rod	ES453L	.875x18	LH	0.773	0.675	0.784	.562x18	3.380
Tie Rod	ES38CR	.875x18	RH	0.704	0.612	0.736	.562x18	5.560
Adjuster	ES 3628	.875x18	.875x18	4.500		4.500	114.300	

Adjuster	E531248	.875x18	.875x18	4.500		4.500	114.300	
Tie Rod	ES453L	.875x19	LH	1.773	1.675	1.784	.562x19	4.380
Tie Rod	ES413R	.875x18	RH	0.702	0.613	0.712	.562x18	5.050
Adjuster	ES 3628	.875x18	.875x18	4.500		4.500	114.300	
Adjuster	E531248	.875x18	.875x18	4.500		4.500	114.300	
Tie Rod	ES453L	.875x20	LH	2.773	2.675	2.784	.562x20	5.380
Tie Rod	ES414R	.875x18	RH	0.702	0.613	0.712	.562x18	5.060
Adjuster	ES 3628	.875x18	.875x18	4.500		4.500	114.300	
Adjuster	E531248	.875x18	.875x18	4.500		4.500	114.300	
Tie Rod	ES453L	.875x21	LH	3.773	3.675	3.784	.562x21	6.380
Tie Rod	ES362R	.875x18	RH	0.702	0.613	0.712	.562x18	6.050
Adjuster	ES 3628	.875x18	.875x18	4.500		4.500	114.300	
Adjuster	E531248	.875x18	.875x18	4.500		4.500	114.300	
Tie Rod	ES453L	.875x22	LH	4.773	4.675	4.784	.562x22	7.380
Tie Rod	ES2147R	.875x18	RH	0.776	0.662	0.912	.625x18	5.030
Adjuster	ES 3628	.875x18	.875x18	4.500		4.500	114.300	
Adjuster	E531248	.875x18	.875x18	4.500		4.500	114.300	
Tie Rod	ES453L	.875x23	LH	5.773	5.675	5.784	.562x23	8.380
Tie Rod	ES2082R	.875x18	RH	0.773	0.664	0.872	.625x18	4.440
Adjuster	ES 3628	.875x18	.875x18	4.500		4.500	114.300	
Adjuster	E531248	.875x18	.875x18	4.500		4.500	114.300	
Tie Rod	ES453L	.875x24	LH	6.773	6.675	6.784	.562x24	9.380
Tie Rod	ES2010R	.875x18	RH	0.776	0.675	0.808	.625x18	3.380
Adjuster	ES 3628	.875x18	.875x18	4.500		4.500	114.300	
Adjuster	E531248	.875x18	.875x18	4.500		4.500	114.300	
Tie Rod	ES453L	.875x25	LH	7.773	7.675	7.784	.562x25	10.380
Tie Rod	ES2234R	.875x18	RH	0.777	0.675	0.816	.625x18	4.810
Adjuster	ES 3628	.875x18	.875x18	4.500		4.500	114.300	
Adjuster	E531248	.875x18	.875x18	4.500		4.500	114.300	
Tie Rod	ES2010L	.875x18	LH	0.776	0.675	0.808	.625x18	3.380
Tie Rod	ES38CR	.875x18	RH	0.704	0.612	0.736	.562x18	5.560
Adjuster	ES 3628	.875x18	.875x18	4.500		4.500	114.300	
Adjuster	E531248	.875x18	.875x18	4.500		4.500	114.300	
Tie Rod	ES2010L	.875x19	LH	1.776	1.675	1.808	.625x19	4.380
Tie Rod	ES413R	.875x18	RH	0.702	0.613	0.712	.562x18	5.050
Adjuster	ES 3628	.875x18	.875x18	4.500		4.500	114.300	
Adjuster	E531248	.875x18	.875x18	4.500		4.500	114.300	
Tie Rod	ES2010L	.875x20	LH	2.776	2.675	2.808	.625x20	5.380
Tie Rod	ES414R	.875x18	RH	0.702	0.613	0.712	.562x18	5.060
Adjuster	ES 3628	.875x18	.875x18	4.500		4.500	114.300	

Adjuster	E531248	.875x18	.875x18	4.500		4.500	114.300	
Tie Rod	ES20I0L	.875x21	LH	3.776	3.675	3.808	.625x21	6.380
Tie Rod	ES362R	.875x18	RH	0.702	0.613	0.712	.562x18	6.050
Adjuster	ES 3628	.875x18	.875x18	4.500		4.500	114.300	
Adjuster	E531248	.875x18	.875x18	4.500		4.500	114.300	
Tie Rod	ES20I0L	.875x22	LH	4.776	4.675	4.808	.625x22	7.380
Tie Rod	ES2147R	.875x18	RH	0.776	0.662	0.912	.625x18	5.030
Adjuster	ES 3628	.875x18	.875x18	4.500		4.500	114.300	
Adjuster	E531248	.875x18	.875x18	4.500		4.500	114.300	
Tie Rod	ES20I0L	.875x23	LH	5.776	5.675	5.808	.625x23	8.380
Tie Rod	ES2082R	.875x18	RH	0.773	0.664	0.872	.625x18	4.440
Adjuster	ES 3628	.875x18	.875x18	4.500		4.500	114.300	
Adjuster	E531248	.875x18	.875x18	4.500		4.500	114.300	
Tie Rod	ES20I0L	.875x24	LH	6.776	6.675	6.808	.625x24	9.380
Tie Rod	ES2010R	.875x18	RH	0.776	0.675	0.808	.625x18	3.380
Adjuster	ES 3628	.875x18	.875x18	4.500		4.500	114.300	
Adjuster	E531248	.875x18	.875x18	4.500		4.500	114.300	
Tie Rod	ES20I0L	.875x25	LH	7.776	7.675	7.808	.625x25	10.380
Tie Rod	ES2234R	.875x18	RH	0.777	0.675	0.816	.625x18	4.810
Adjuster	ES 3628	.875x18	.875x18	4.500		4.500	114.300	
Adjuster	E531248	.875x18	.875x18	4.500		4.500	114.300	
Tie Rod	ES449L	.875x18	LH	0.776	0.675	0.808	.625x18	4.380
Tie Rod	ES38CR	.875x18	RH	0.704	0.612	0.736	.562x18	5.560
Adjuster	ES 3628	.875x18	.875x18	4.500		4.500	114.300	
Adjuster	E531248	.875x18	.875x18	4.500		4.500	114.300	
Tie Rod	ES449L	.875x19	LH	1.776	1.675	1.808	.625x19	5.380
Tie Rod	ES413R	.875x18	RH	0.702	0.613	0.712	.562x18	5.050
Adjuster	ES 3628	.875x18	.875x18	4.500		4.500	114.300	
Adjuster	E531248	.875x18	.875x18	4.500		4.500	114.300	
Tie Rod	ES449L	.875x20	LH	2.776	2.675	2.808	.625x20	6.380
Tie Rod	ES414R	.875x18	RH	0.702	0.613	0.712	.562x18	5.060
Adjuster	ES 3628	.875x18	.875x18	4.500		4.500	114.300	
Adjuster	E531248	.875x18	.875x18	4.500		4.500	114.300	
Tie Rod	ES449L	.875x21	LH	3.776	3.675	3.808	.625x21	7.380
Tie Rod	ES362R	.875x18	RH	0.702	0.613	0.712	.562x18	6.050
Adjuster	ES 3628	.875x18	.875x18	4.500		4.500	114.300	
Adjuster	E531248	.875x18	.875x18	4.500		4.500	114.300	
Tie Rod	ES449L	.875x22	LH	4.776	4.675	4.808	.625x22	8.380
Tie Rod	ES2147R	.875x18	RH	0.776	0.662	0.912	.625x18	5.030
Adjuster	ES 3628	.875x18	.875x18	4.500		4.500	114.300	

Adjuster	E531248	.875x18	.875x18	4.500		4.500	114.300	
Tie Rod	ES449L	.875x23	LH	5.776	5.675	5.808	.625x23	9.380
Tie Rod	ES2082R	.875x18	RH	0.773	0.664	0.872	.625x18	4.440
Adjuster	ES 3628	.875x18	.875x18	4.500		4.500	114.300	
Adjuster	E531248	.875x18	.875x18	4.500		4.500	114.300	
Tie Rod	ES449L	.875x24	LH	6.776	6.675	6.808	.625x24	10.380
Tie Rod	ES2010R	.875x18	RH	0.776	0.675	0.808	.625x18	3.380
Adjuster	ES 3628	.875x18	.875x18	4.500		4.500	114.300	
Adjuster	E531248	.875x18	.875x18	4.500		4.500	114.300	
Tie Rod	ES449L	.875x25	LH	7.776	7.675	7.808	.625x25	11.380
Tie Rod	ES2234R	.875x18	RH	0.777	0.675	0.816	.625x18	4.810
Adjuster	ES 3628	.875x18	.875x18	4.500		4.500	114.300	
Adjuster	E531248	.875x18	.875x18	4.500		4.500	114.300	
Tie Rod	E82233L	.875x18	LH	0.776	0.675	0.808	.625x18	9.600
Tie Rod	ES38CR	.875x18	RH	0.704	0.612	0.736	.562x18	5.560
Adjuster	ES 3628	.875x18	.875x18	4.500		4.500	114.300	
Adjuster	E531248	.875x18	.875x18	4.500		4.500	114.300	
Tie Rod	E82233L	.875x19	LH	1.776	1.675	1.808	.625x19	10.600
Tie Rod	ES413R	.875x18	RH	0.702	0.613	0.712	.562x18	5.050
Adjuster	ES 3628	.875x18	.875x18	4.500		4.500	114.300	
Adjuster	E531248	.875x18	.875x18	4.500		4.500	114.300	
Tie Rod	E82233L	.875x20	LH	2.776	2.675	2.808	.625x20	11.600
Tie Rod	ES414R	.875x18	RH	0.702	0.613	0.712	.562x18	5.060
Adjuster	ES 3628	.875x18	.875x18	4.500		4.500	114.300	
Adjuster	E531248	.875x18	.875x18	4.500		4.500	114.300	
Tie Rod	E82233L	.875x21	LH	3.776	3.675	3.808	.625x21	12.600
Tie Rod	ES362R	.875x18	RH	0.702	0.613	0.712	.562x18	6.050
Adjuster	ES 3628	.875x18	.875x18	4.500		4.500	114.300	
Adjuster	E531248	.875x18	.875x18	4.500		4.500	114.300	
Tie Rod	E82233L	.875x22	LH	4.776	4.675	4.808	.625x22	13.600
Tie Rod	ES2147R	.875x18	RH	0.776	0.662	0.912	.625x18	5.030
Adjuster	ES 3628	.875x18	.875x18	4.500		4.500	114.300	
Adjuster	E531248	.875x18	.875x18	4.500		4.500	114.300	
Tie Rod	E82233L	.875x23	LH	5.776	5.675	5.808	.625x23	14.600
Tie Rod	ES2082R	.875x18	RH	0.773	0.664	0.872	.625x18	4.440
Adjuster	ES 3628	.875x18	.875x18	4.500		4.500	114.300	
Adjuster	E531248	.875x18	.875x18	4.500		4.500	114.300	
Tie Rod	E82233L	.875x24	LH	6.776	6.675	6.808	.625x24	15.600
Tie Rod	ES2010R	.875x18	RH	0.776	0.675	0.808	.625x18	3.380
Adjuster	ES 3628	.875x18	.875x18	4.500		4.500	114.300	

Adjuster	E531248	.875x18	.875x18	4.500		4.500	114.300	
Tie Rod	E82233L	.875x25	LH	7.776	7.675	7.808	.625x25	16.600
Tie Rod	ES2234R	.875x18	RH	0.777	0.675	0.816	.625x18	4.810
Adjuster	ES 3628	.875x18	.875x18	4.500		4.500	114.300	
Adjuster	E531248	.875x18	.875x18	4.500		4.500	114.300	

B	C	D	F
	mm	mm	mm
	17.907	15.088	22.555
	17.882	15.545	18.694
	17.882	15.545	18.694
	17.831	15.570	18.085
	17.831	15.570	18.085
	17.831	15.570	18.085
	17.831	15.570	18.085
	17.831	15.570	18.085
	19.710	16.815	23.165
	19.710	16.815	23.165
	19.634	16.866	22.149
	19.634	16.866	22.149
	19.431	17.145	18.288
	19.634	17.145	19.914
	19.710	17.145	20.523
	19.710	17.145	20.523
	19.710	17.145	20.523
	19.710	17.145	20.523
	19.710	17.145	20.523
	19.736	17.145	20.726

		17.907	15.088	22.555	100.330
Calc'd	6.450	17.882	15.545	18.694	141.224
Actual	4.500				
Actual	4.500				

		43.307	40.488	47.955	125.730
Calc'd	5.960	17.831	15.570	18.085	128.270
Actual	4.500				
Actual	4.500				

		68.707	65.888	73.355	151.130
Calc'd	4.950	17.831	15.570	18.085	128.524
Actual	4.500				
Actual	4.500				

		94.107	91.288	98.755	176.530
Calc'd	2.960	17.831	15.570	18.085	153.670
Actual	4.500				
Actual	4.500				

		119.507	116.688	124.155	201.930
Calc'd	2.980	19.710	16.815	23.165	127.762
Actual	4.500				
Actual	4.500				

		144.907	142.088	149.555	227.330
Calc'd	2.570	19.634	16.866	22.149	112.776
Actual	4.500				
Actual	4.500				
		170.307	167.488	174.955	252.730
Calc'd	2.630	19.710	17.145	20.523	85.852
Actual	4.500				
Actual	4.500				
		195.707	192.888	200.355	278.130
Calc'd	0.200	19.736	17.145	20.726	122.174
Actual	4.500				
Actual	4.500				
		17.882	15.545	18.694	141.224
Calc'd	4.840	17.882	15.545	18.694	141.224
Actual	4.500				
Actual	4.500				
		43.282	40.945	44.094	166.624
Calc'd	4.350	17.831	15.570	18.085	128.270
Actual	4.500				
Actual	4.500				
		68.682	66.345	69.494	192.024
Calc'd	3.340	17.831	15.570	18.085	128.524
Actual	4.500				
Actual	4.500				
		94.082	91.745	94.894	217.424
Calc'd	1.350	17.831	15.570	18.085	153.670
Actual	4.500				
Actual	4.500				
		119.482	117.145	120.294	242.824
Calc'd	1.370	19.710	16.815	23.165	127.762
Actual	4.500				
Actual	4.500				
		144.882	142.545	145.694	268.224
Calc'd	0.960	19.634	16.866	22.149	112.776
Actual	4.500				
Actual	4.500				
		170.282	167.945	171.094	293.624
Calc'd	1.020	19.710	17.145	20.523	85.852
Actual	4.500				
Actual	4.500				

		195.682	193.345	196.494	319.024
Calc'd	-1.410	19.736	17.145	20.726	122.174
Actual	4.500				
Actual	4.500				
		17.831	15.570	18.085	101.600
Calc'd	6.400	17.882	15.545	18.694	141.224
Actual	4.500				
Actual	4.500				
		43.231	40.970	43.485	127.000
Calc'd	5.910	17.831	15.570	18.085	128.270
Actual	4.500				
Actual	4.500				
		68.631	66.370	68.885	152.400
Calc'd	4.900	17.831	15.570	18.085	128.524
Actual	4.500				
Actual	4.500				
		94.031	91.770	94.285	177.800
Calc'd	2.910	17.831	15.570	18.085	153.670
Actual	4.500				
Actual	4.500				
		119.431	117.170	119.685	203.200
Calc'd	2.930	19.710	16.815	23.165	127.762
Actual	4.500				
Actual	4.500				
		144.831	142.570	145.085	228.600
Calc'd	6.960	19.634	16.866	22.149	112.776
Actual	4.500				
Actual	4.500				
		170.231	167.970	170.485	254.000
Calc'd	5.960	19.710	17.145	20.523	85.852
Actual	4.500				
Actual	4.500				
		195.631	193.370	195.885	279.400
Calc'd	4.960	19.736	17.145	20.726	122.174
Actual	4.500				
Actual	4.500				
		17.831	15.570	18.085	123.952
Calc'd	11.080	17.882	15.545	18.694	141.224
Actual	4.500				
Actual	4.500				



Calc'd	10.080	43.231	40.970	43.485	149.352
Actual	4.500	17.831	15.570	18.085	128.270
Actual	4.500				
Calc'd	9.080	68.631	66.370	68.885	174.752
Actual	4.500	17.831	15.570	18.085	128.524
Actual	4.500				
Calc'd	8.080	94.031	91.770	94.285	200.152
Actual	4.500	17.831	15.570	18.085	153.670
Actual	4.500				
Calc'd	7.080	119.431	117.170	119.685	225.552
Actual	4.500	19.710	16.815	23.165	127.762
Actual	4.500				
Calc'd	6.080	144.831	142.570	145.085	250.952
Actual	4.500	19.634	16.866	22.149	112.776
Actual	4.500				
Calc'd	5.080	170.231	167.970	170.485	276.352
Actual	4.500	19.710	17.145	20.523	85.852
Actual	4.500				
Calc'd	4.080	195.631	193.370	195.885	301.752
Actual	4.500	19.736	17.145	20.726	122.174
Actual	4.500				
Calc'd	7.160	43.231	40.970	43.485	223.520
Actual	4.500	17.882	15.545	18.694	141.224
Actual	4.500				
Calc'd	6.160	68.631	66.370	68.885	248.920
Actual	4.500	17.831	15.570	18.085	128.270
Actual	4.500				
Calc'd	5.160	94.031	91.770	94.285	274.320
Actual	4.500	17.831	15.570	18.085	128.524
Actual	4.500				

Calc'd	4.160	119.431	117.170	119.685	299.720
Actual	4.500	17.831	15.570	18.085	153.670
Actual	4.500				
Calc'd	3.160	144.831	142.570	145.085	325.120
Actual	4.500	19.710	16.815	23.165	127.762
Actual	4.500				
Calc'd	2.160	170.231	167.970	170.485	350.520
Actual	4.500	19.634	16.866	22.149	112.776
Actual	4.500				
Calc'd	1.160	195.631	193.370	195.885	375.920
Actual	4.500	19.710	17.145	20.523	85.852
Actual	4.500				
Calc'd	0.160	221.031	218.770	221.285	401.320
Actual	4.500	19.736	17.145	20.726	122.174
Actual	4.500				
Calc'd	5.400	19.710	16.815	23.165	127.000
Actual	4.500	17.882	15.545	18.694	141.224
Actual	4.500				
Calc'd	4.910	45.110	42.215	48.565	152.400
Actual	4.500	17.831	15.570	18.085	128.270
Actual	4.500				
Calc'd	3.900	70.510	67.615	73.965	177.800
Actual	4.500	17.831	15.570	18.085	128.524
Actual	4.500				
Calc'd	1.910	95.910	93.015	99.365	203.200
Actual	4.500	17.831	15.570	18.085	153.670
Actual	4.500				
Calc'd	1.930	121.310	118.415	124.765	228.600
Actual	4.500	19.710	16.815	23.165	127.762

Actual	4.500				
		146.710	143.815	150.165	254.000
Calc'd	1.520	19.634	16.866	22.149	112.776
Actual	4.500				
Actual	4.500				
		172.110	169.215	175.565	279.400
Calc'd	1.580	19.710	17.145	20.523	85.852
Actual	4.500				
Actual	4.500				
		197.510	194.615	200.965	304.800
Calc'd	-0.850	19.736	17.145	20.726	122.174
Actual	4.500				
Actual	4.500				
		19.634	16.866	22.149	112.776
Calc'd	5.960	17.882	15.545	18.694	141.224
Actual	4.500				
Actual	4.500				
		45.034	42.266	47.549	138.176
Calc'd	5.470	17.831	15.570	18.085	128.270
Actual	4.500				
Actual	4.500				
		70.434	67.666	72.949	163.576
Calc'd	4.460	17.831	15.570	18.085	128.524
Actual	4.500				
Actual	4.500				
		95.834	93.066	98.349	188.976
Calc'd	2.470	17.831	15.570	18.085	153.670
Actual	4.500				
Actual	4.500				
		121.234	118.466	123.749	214.376
Calc'd	2.490	19.710	16.815	23.165	127.762
Actual	4.500				
Actual	4.500				
		146.634	143.866	149.149	239.776
Calc'd	2.080	19.634	16.866	22.149	112.776
Actual	4.500				
Actual	4.500				
		172.034	169.266	174.549	265.176
Calc'd	2.140	19.710	17.145	20.523	85.852
Actual	4.500				

Actual	4.500				
		197.434	194.666	199.949	290.576
Calc'd	-0.290	19.736	17.145	20.726	122.174
Actual	4.500				
Actual	4.500				
		19.431	17.145	18.288	85.852
Calc'd	7.020	17.882	15.545	18.694	141.224
Actual	4.500				
Actual	4.500				
		44.831	42.545	43.688	111.252
Calc'd	6.530	17.831	15.570	18.085	128.270
Actual	4.500				
Actual	4.500				
		70.231	67.945	69.088	136.652
Calc'd	5.520	17.831	15.570	18.085	128.524
Actual	4.500				
Actual	4.500				
		95.631	93.345	94.488	162.052
Calc'd	3.530	17.831	15.570	18.085	153.670
Actual	4.500				
Actual	4.500				
		121.031	118.745	119.888	187.452
Calc'd	3.550	19.710	16.815	23.165	127.762
Actual	4.500				
Actual	4.500				
		146.431	144.145	145.288	212.852
Calc'd	3.140	19.634	16.866	22.149	112.776
Actual	4.500				
Actual	4.500				
		171.831	169.545	170.688	238.252
Calc'd	3.200	19.710	17.145	20.523	85.852
Actual	4.500				
Actual	4.500				
		197.231	194.945	196.088	263.652
Calc'd	0.770	19.736	17.145	20.726	122.174
Actual	4.500				
Actual	4.500				
		19.634	17.145	19.914	85.852
Calc'd	7.020	17.882	15.545	18.694	141.224
Actual	4.500				

Actual	4.500				
		45.034	42.545	45.314	111.252
Calc'd	6.530	17.831	15.570	18.085	128.270
Actual	4.500				
Actual	4.500				
		70.434	67.945	70.714	136.652
Calc'd	5.520	17.831	15.570	18.085	128.524
Actual	4.500				
Actual	4.500				
		95.834	93.345	96.114	162.052
Calc'd	3.530	17.831	15.570	18.085	153.670
Actual	4.500				
Actual	4.500				
		121.234	118.745	121.514	187.452
Calc'd	3.550	19.710	16.815	23.165	127.762
Actual	4.500				
Actual	4.500				
		146.634	144.145	146.914	212.852
Calc'd	3.140	19.634	16.866	22.149	112.776
Actual	4.500				
Actual	4.500				
		172.034	169.545	172.314	238.252
Calc'd	3.200	19.710	17.145	20.523	85.852
Actual	4.500				
Actual	4.500				
		197.434	194.945	197.714	263.652
Calc'd	0.770	19.736	17.145	20.726	122.174
Actual	4.500				
Actual	4.500				
		19.710	17.145	20.523	85.852
Calc'd	7.020	17.882	15.545	18.694	141.224
Actual	4.500				
Actual	4.500				
		45.110	42.545	45.923	111.252
Calc'd	6.530	17.831	15.570	18.085	128.270
Actual	4.500				
Actual	4.500				
		70.510	67.945	71.323	136.652
Calc'd	5.520	17.831	15.570	18.085	128.524
Actual	4.500				

Actual	4.500				
		95.910	93.345	96.723	162.052
Calc'd	3.530	17.831	15.570	18.085	153.670
Actual	4.500				
Actual	4.500				
		121.310	118.745	122.123	187.452
Calc'd	3.550	19.710	16.815	23.165	127.762
Actual	4.500				
Actual	4.500				
		146.710	144.145	147.523	212.852
Calc'd	3.140	19.634	16.866	22.149	112.776
Actual	4.500				
Actual	4.500				
		172.110	169.545	172.923	238.252
Calc'd	3.200	19.710	17.145	20.523	85.852
Actual	4.500				
Actual	4.500				
		197.510	194.945	198.323	263.652
Calc'd	0.770	19.736	17.145	20.726	122.174
Actual	4.500				
Actual	4.500				
		19.710	17.145	20.523	111.252
Calc'd	6.020	17.882	15.545	18.694	141.224
Actual	4.500				
Actual	4.500				
		45.110	42.545	45.923	136.652
Calc'd	5.530	17.831	15.570	18.085	128.270
Actual	4.500				
Actual	4.500				
		70.510	67.945	71.323	162.052
Calc'd	4.520	17.831	15.570	18.085	128.524
Actual	4.500				
Actual	4.500				
		95.910	93.345	96.723	187.452
Calc'd	2.530	17.831	15.570	18.085	153.670
Actual	4.500				
Actual	4.500				
		121.310	118.745	122.123	212.852
Calc'd	2.550	19.710	16.815	23.165	127.762
Actual	4.500				

Actual	4.500				
		146.710	144.145	147.523	238.252
Calc'd	2.140	19.634	16.866	22.149	112.776
Actual	4.500				
Actual	4.500				
		172.110	169.545	172.923	263.652
Calc'd	2.200	19.710	17.145	20.523	85.852
Actual	4.500				
Actual	4.500				
		197.510	194.945	198.323	289.052
Calc'd	-0.230	19.736	17.145	20.726	122.174
Actual	4.500				
Actual	4.500				
		19.710	17.145	20.523	243.840
Calc'd	0.800	17.882	15.545	18.694	141.224
Actual	4.500				
Actual	4.500				
		45.110	42.545	45.923	269.240
Calc'd	0.310	17.831	15.570	18.085	128.270
Actual	4.500				
Actual	4.500				
		70.510	67.945	71.323	294.640
Calc'd	-0.700	17.831	15.570	18.085	128.524
Actual	4.500				
Actual	4.500				
		95.910	93.345	96.723	320.040
Calc'd	-2.690	17.831	15.570	18.085	153.670
Actual	4.500				
Actual	4.500				
		121.310	118.745	122.123	345.440
Calc'd	-2.670	19.710	16.815	23.165	127.762
Actual	4.500				
Actual	4.500				
		146.710	144.145	147.523	370.840
Calc'd	-3.080	19.634	16.866	22.149	112.776
Actual	4.500				
Actual	4.500				
		172.110	169.545	172.923	396.240
Calc'd	-3.020	19.710	17.145	20.523	85.852
Actual	4.500				

Actual 4.500

		197.510	194.945	198.323	421.640
Calc'd	-5.450	19.736	17.145	20.726	122.174
Actual	4.500				
Actual	4.500				



	Part #	A	Thread	B	C	D	E	F
				inches	inches	inches		inches
Tie Rod	ES2057L	M16x1.50	LH	0.651	0.581	0.560	.500x20	4.190
Tie Rod	ES2056R	M16x1.50	RH	0.651	0.581	0.560	.500x20	6.520

	Part #	LH	RH	Length	Length IN	Length MM
Adjuster	ES2900S	M16x1.50	M16x1.50	90.000	3.543	90.000
Adjuster	ES2359S	M16x1.50	M16x1.50	191.000	7.520	191.000
Adjuster	ES2729S	M16x1.50	M16x1.50	212.000	8.346	212.000
Adjuster	ES2058S	M16x1.50	M16x1.50	241.000	9.488	241.000
Adjuster	DS1012S	M16x1.50	M16x1.50	401.830	15.820	401.830

		B	C	D	F
		mm	mm	mm	mm
Calc'd	5.250	16.535	14.757	14.224	106.426
		16.535	14.757	14.224	165.608

	Part #	A	Thread	B	C	D	E	F
				inches	inches	inches		inches
Tie Rod	ES2222L	M20x1.50	LH	0.623	0.554	0.552	.500x20	4.330
Tie Rod	ES3099R	M20x1.50	RH	0.626	0.558	0.544	.500x20	5.400
Tie Rod	ES2215L	M20x1.50	LH	0.705	0.594	0.888	M14x1.50	5.400
Tie Rod	ES2213L	M20x1.50	LH	0.702	0.594	0.860	M14x1.50	5.394
Tie Rod	ES3098L	M20x1.50	LH	0.704	0.628	0.608	.563x18	5.400

	Part #	LH	RH	Length				Length IN
Adjuster	ES2080S	M20x1.50	M20x1.50	127.000				5.000
Tie Rod	ES3099R	M20x1.50	RH	0.626	0.558	0.544	.500x20	5.400
Tie Rod	ES2222L	M20x1.50	LH	0.623	0.554	0.552	.500x20	4.330
Adjuster	ES2080S	M20x1.50	M20x1.50	127.000				5.000
Tie Rod	ES3099R	M20x1.50	RH	0.626	0.558	0.544	.500x20	5.400
Tie Rod	ES2215L	M20x1.50	LH	0.705	0.594	0.888	M14x1.50	5.400
Adjuster	ES2080S	M20x1.50	M20x1.50	127.000				5.000
Tie Rod	ES3099R	M20x1.50	RH	0.626	0.558	0.544	.500x20	5.400
Tie Rod	ES2213L	M20x1.50	LH	0.702	0.594	0.860	M14x1.50	5.394
Adjuster	ES2080S	M20x1.50	M20x1.50	127.000				5.000
Tie Rod	ES3099R	M20x1.50	RH	0.626	0.558	0.544	.500x20	5.400
Tie Rod	ES3098L	M20x1.50	LH	0.704	0.628	0.608	.563x18	5.400
Adjuster	ES2080S	M20x1.50	M20x1.50	127.000				5.000

B	C	D	F
mm	mm	mm	mm
15.824	14.072	14.021	109.982
15.900	14.173	13.818	137.160
17.907	15.088	22.555	137.160
17.820	15.090	21.840	137.000
17.882	15.951	15.443	137.160

Length MM  
127.000

		15.900	14.173	13.818	137.160
Calc'd	6.230	15.824	14.072	14.021	109.982
Acutal	5.000				
		15.900	14.173	13.818	137.160
Calc'd	5.160	17.907	15.088	22.555	137.160
Acutal	5.000				
		15.900	14.173	13.818	137.160
Calc'd	5.166	17.820	15.090	21.840	137.000
Acutal	5.000				
		15.900	14.173	13.818	137.160
Calc'd	5.160	17.882	15.951	15.443	137.160
Acutal	5.000				

	Part #	A	Thread	B inches	C inches	D inches	E	F inches
Tie Rod	ES3096	M22x1.50	LH	0.626	0.558	0.544	.500X20	5.370
Tie Rod	ES2214R	M22x1.50	RH	0.705	0.594	0.888	M14x1.50	5.400
Tie Rod	ES2727R	M22x1.50	RH	0.705	0.594	0.888	M14x1.50	5.620
Tie Rod	E82212R	M22x1.50	RH	0.702	0.594	0.860	M14x1.50	5.394
Tie Rod	ES2126R	M22x1.50	RH	0.727	0.615	0.896	M14x1.50	5.620
Tie Rod	ES2127L	M22x1.50	LH	0.727	0.615	0.896	M14x1.50	5.620

	Part #	LH	RH	Length				Length IN
Adjuster	ES2323S	M22x1.50	M22x1.50	114.300				4.500
Adjuster	ES2079S	M22x1.50	M22x1.50	127.000				5.000
Tie Rod	ES3096	M22x1.50	LH	0.626	0.558	0.544	.500X20	5.370
Tie Rod	ES2214R	M22x1.50	RH	0.705	0.594	0.888	M14x1.50	5.400
Adjuster	ES2079S	M22x1.50	M22x1.50	127.000				5.000
Tie Rod	ES3096	M22x1.50	LH	0.626	0.558	0.544	.500X20	5.370
Tie Rod	ES2727R	M22x1.50	RH	0.705	0.594	0.888	M14x1.50	5.620
Adjuster	ES2079S	M22x1.50	M22x1.50	127.000				5.000
Tie Rod	ES3096	M22x1.50	LH	0.626	0.558	0.544	.500X20	5.370
Tie Rod	E82212R	M22x1.50	RH	0.702	0.594	0.860	M14x1.50	5.394
Tie Rod	ES3096	M22x1.50	LH	0.626	0.558	0.544	.500X20	5.370
Tie Rod	ES2126R	M22x1.50	RH	0.727	0.615	0.896	M14x1.50	5.620
Adjuster	ES2079S	M22x1.50	M22x1.50	127.000				5.000
Tie Rod	ES2127L	M22x1.50	LH	0.727	0.615	0.896	M14x1.50	5.620
Tie Rod	ES2214R	M22x1.50	RH	0.705	0.594	0.888	M14x1.50	5.400
Adjuster	ES2079S	M22x1.50	M22x1.50	127.000				5.000
Tie Rod	ES2127L	M22x1.50	LH	0.727	0.615	0.896	M14x1.50	5.620
Tie Rod	ES2727R	M22x1.50	RH	0.705	0.594	0.888	M14x1.50	5.620
Adjuster	ES2079S	M22x1.50	M22x1.50	127.000				5.000
Tie Rod	ES2127L	M22x1.50	LH	0.727	0.615	0.896	M14x1.50	5.620
Tie Rod	E82212R	M22x1.50	RH	0.702	0.594	0.860	M14x1.50	5.394
Adjuster	ES2079S	M22x1.50	M22x1.50	127.000				5.000
Tie Rod	ES2127L	M22x1.50	LH	0.727	0.615	0.896	M14x1.50	5.620
Tie Rod	ES2126R	M22x1.50	RH	0.727	0.615	0.896	M14x1.50	5.620
Adjuster	ES2079S	M22x1.50	M22x1.50	127.000				5.000

B	C	D	F
mm	mm	mm	mm
15.900	14.173	13.818	136.398
17.907	15.088	22.555	137.160
17.907	15.088	22.555	142.748
17.820	15.090	21.840	137.000
18.466	15.621	22.758	142.748
18.466	15.621	22.758	142.748

Length MM  
114.300  
127.000

Calc'd	5.190	15.900	14.173	13.818	136.398
Actual	5.000	17.907	15.088	22.555	137.160
		127.000			

Calc'd	4.970	15.900	14.173	13.818	136.398
Actual	5.000	17.907	15.088	22.555	142.748
		127.000			

Calc'd	5.196	15.900	14.173	13.818	136.398
		17.820	15.090	21.840	137.000

Calc'd	4.970	15.900	14.173	13.818	136.398
Actual	5.000	18.466	15.621	22.758	142.748
		127.000			

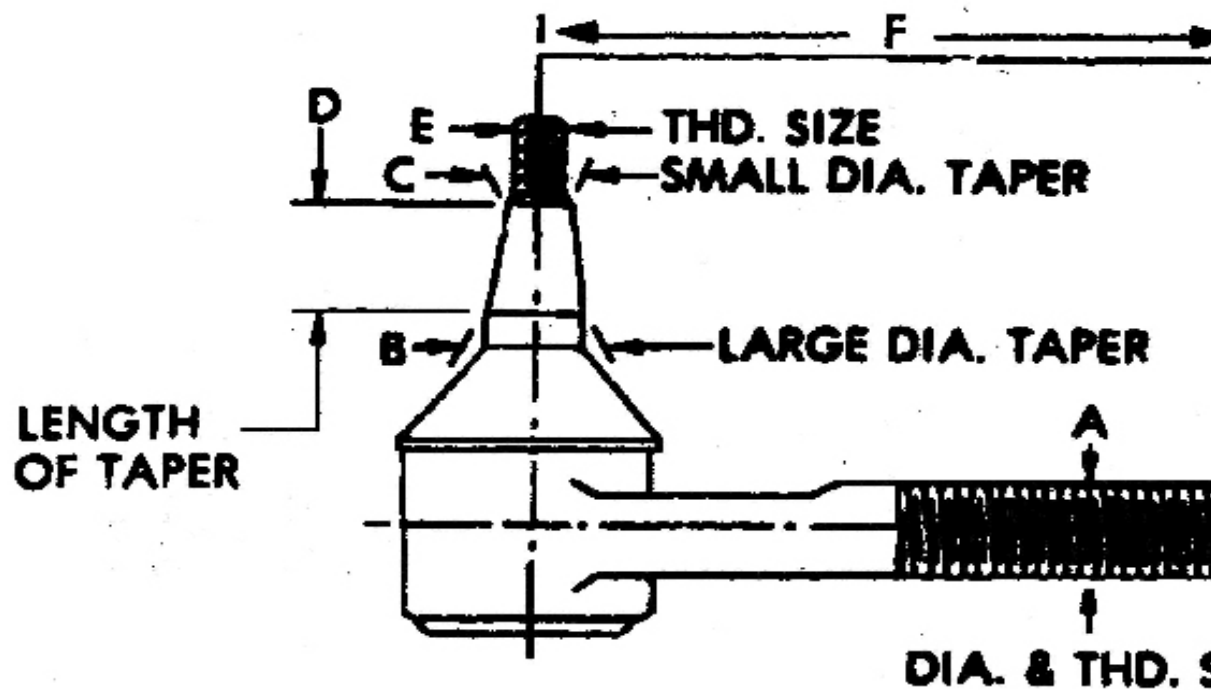
Calc'd	4.940	18.466	15.621	22.758	142.748
Actual	5.000	17.907	15.088	22.555	137.160
		127.000			

Calc'd	4.720	18.466	15.621	22.758	142.748
Actual	5.000	17.907	15.088	22.555	142.748
		127.000			

Calc'd	4.946	18.466	15.621	22.758	142.748
Actual	5.000	17.820	15.090	21.840	137.000
		127.000			

Calc'd	4.720	18.466	15.621	22.758	142.748
Actual	5.000	18.466	15.621	22.758	142.748
		127.000			

# Tie Rod End Dimensions





**SIZE**